

Balance Support

Use and maintenance / assembly manual

All information contained in this document was provided by the European manufacturer/ designer of the components for this particular model. As a fabricator/distributor, Retractableawnings.com® Inc. claims no liability with respect to these documents as we are not engineers and did not complete any of the information, engineering or calculations in this document. All measurements in this document are metric. To convert from metric (meters, centimeters and millimeters) to imperial (feet and inches) visit this website: http://www.onlineconversion.com/length_common.htm

ENGLISH

1	Assembly / disassembly and belt replacing	5
1.1	Balance Support assembly on square bar	5
1.2	Disassembly and belt replacing.....	6
1.3	New belt assembly	7

The information in this document is only applicable to the Palermo, Palermo Plus and Roma models.
It is not applicable to the Venezia model.

1 Assembly / disassembly and belt replacing



The balance support belt is likely to wear.
It is recommended to verify its integrity to ensure proper operation and preserve the tissue.
To replace the belt see manual assembly / installation of the awning.

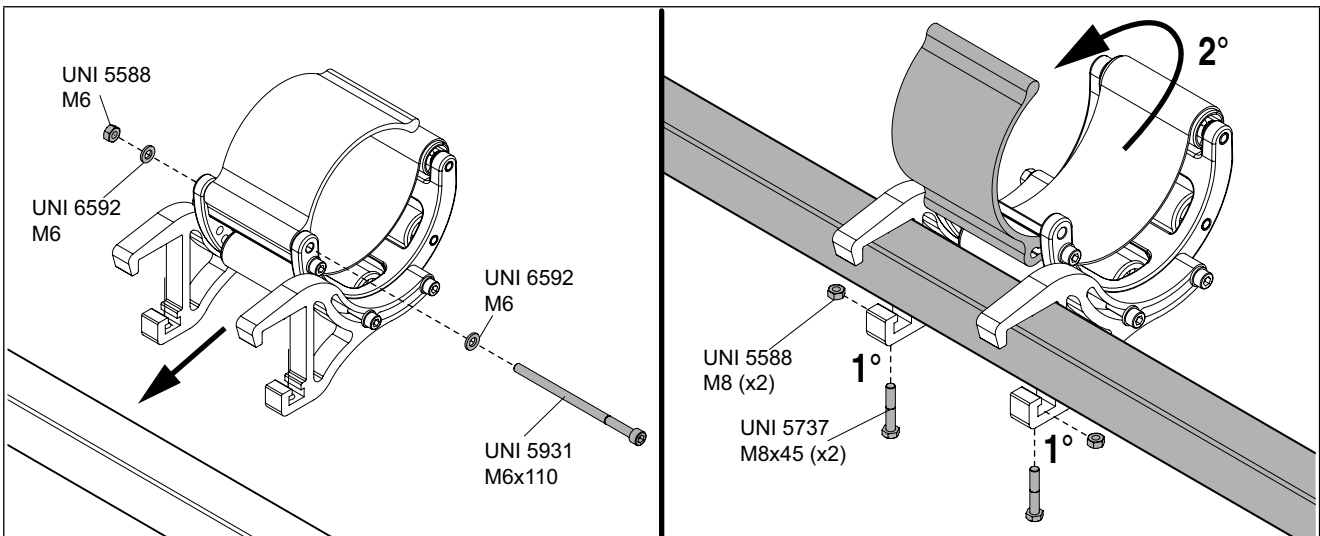


It is recommended to assemble the balance support in line with the reinforcement strip (if present).

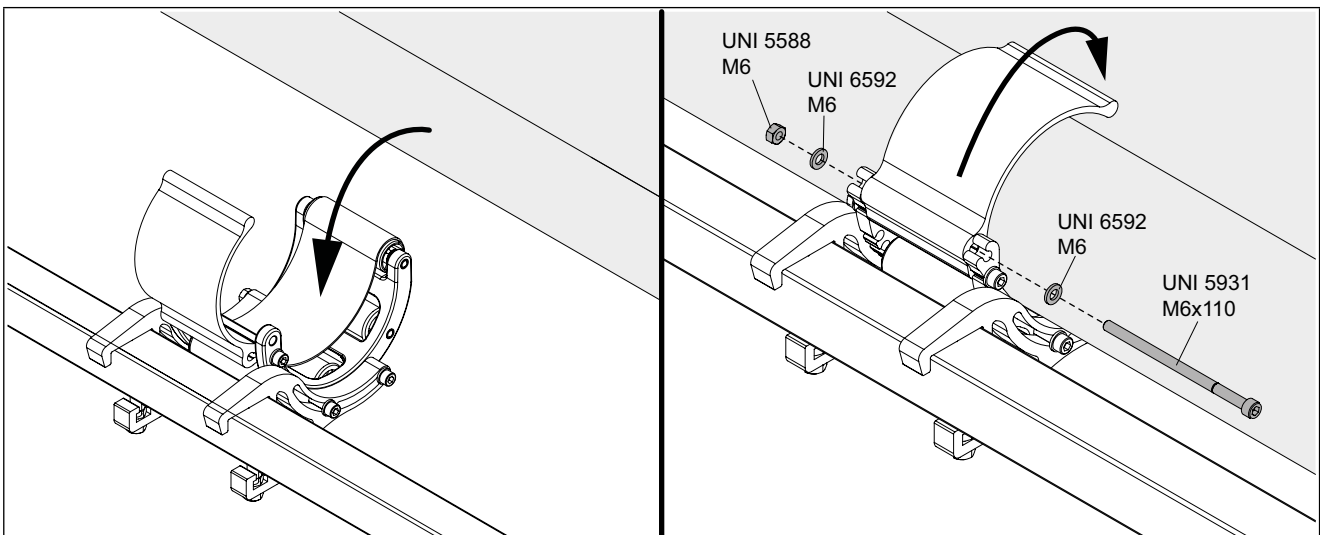


The width of the reinforcement strip must be greater than that of the balance support.

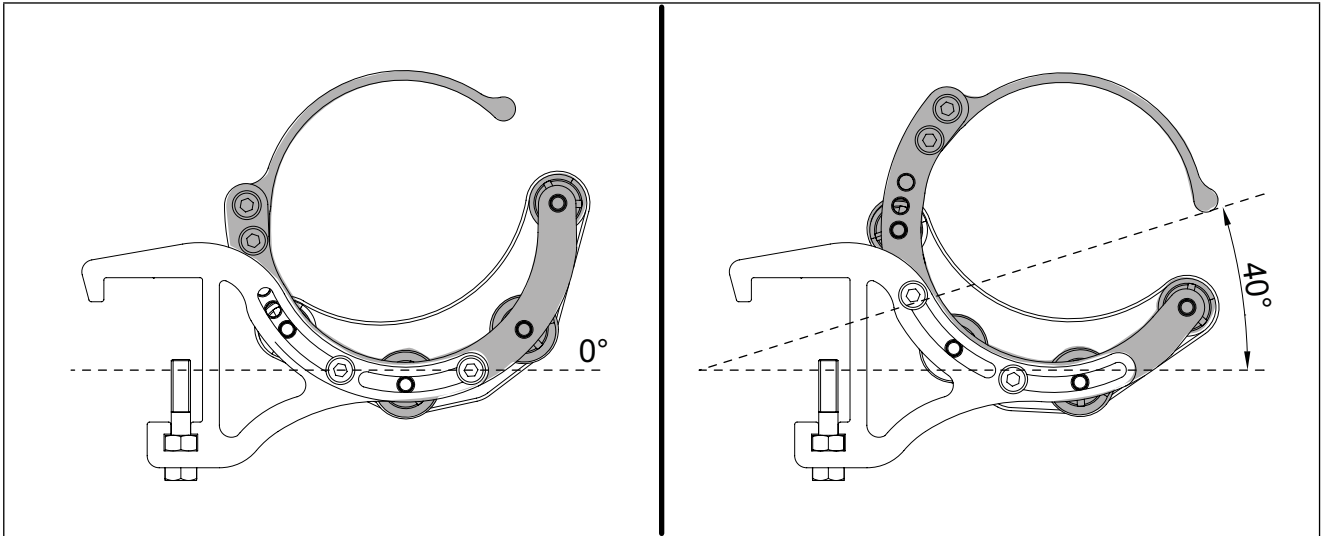
1.1 Balance Support assembly on square bar



Pic. 1

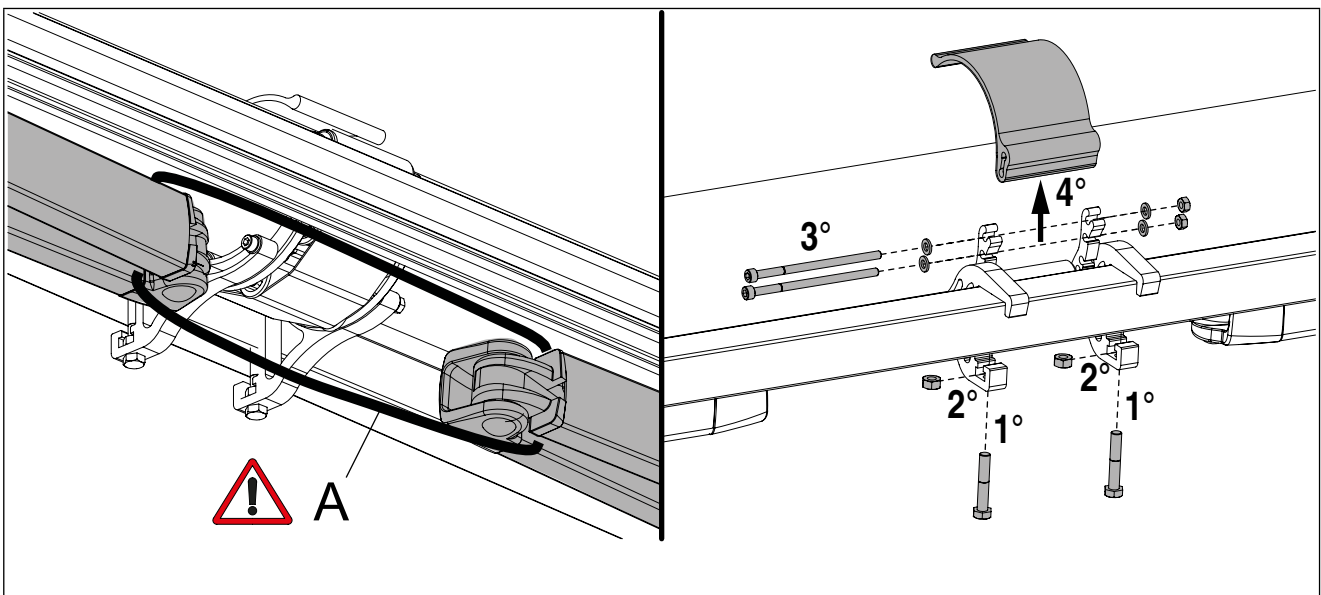


Pic. 2

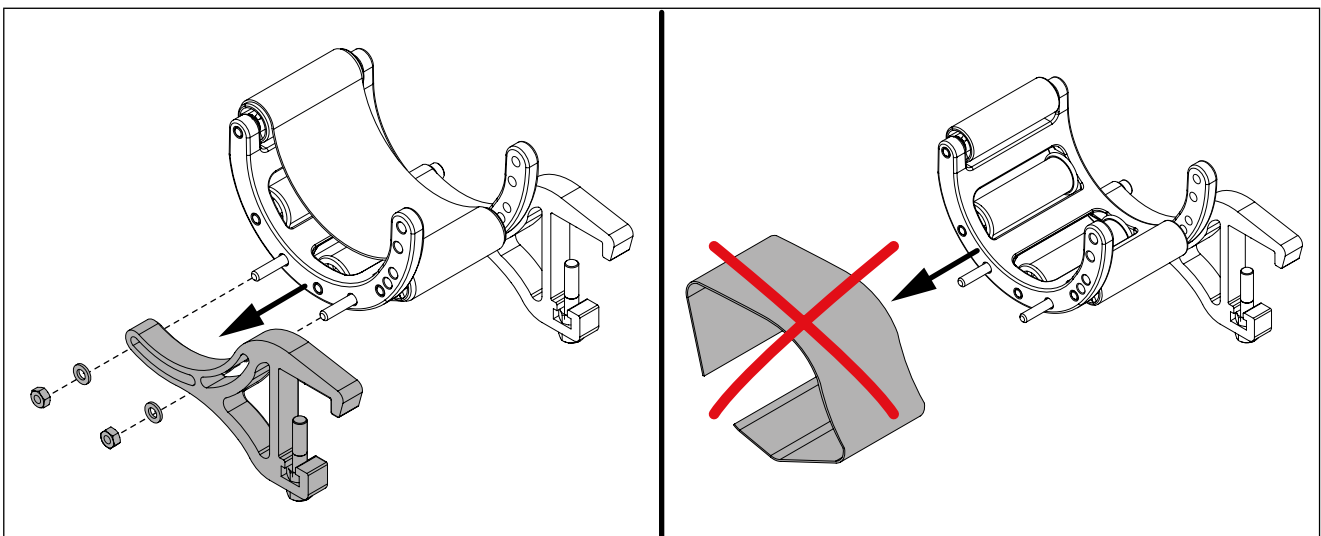


Pic. 3

1.2 Disassembly and belt replacing

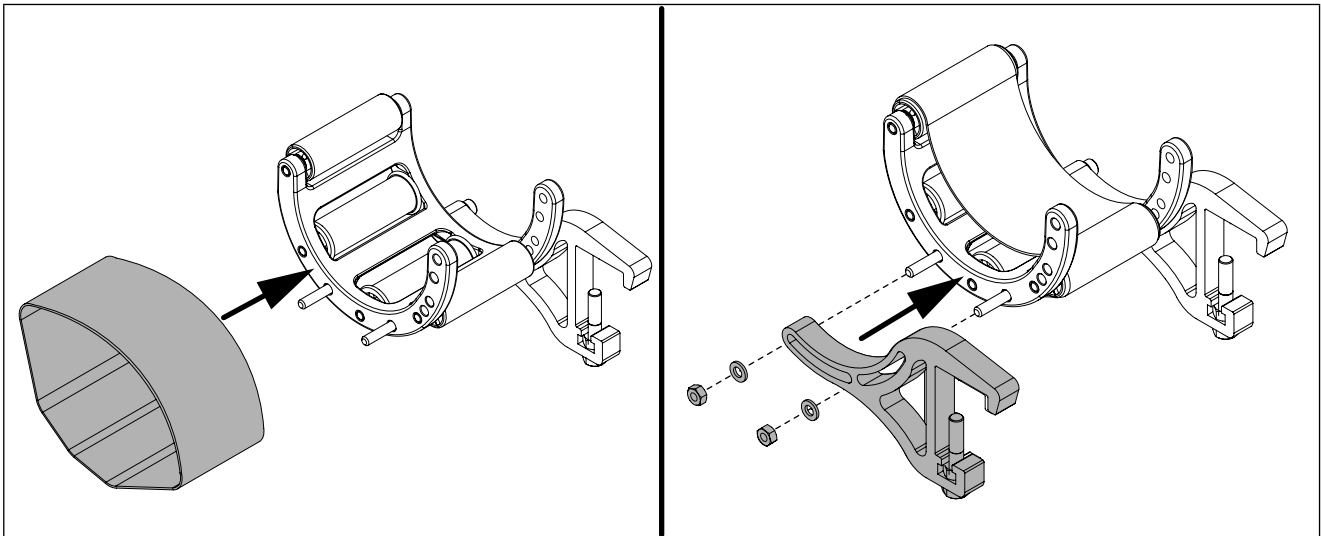


Pic. 4 A) Safety rope

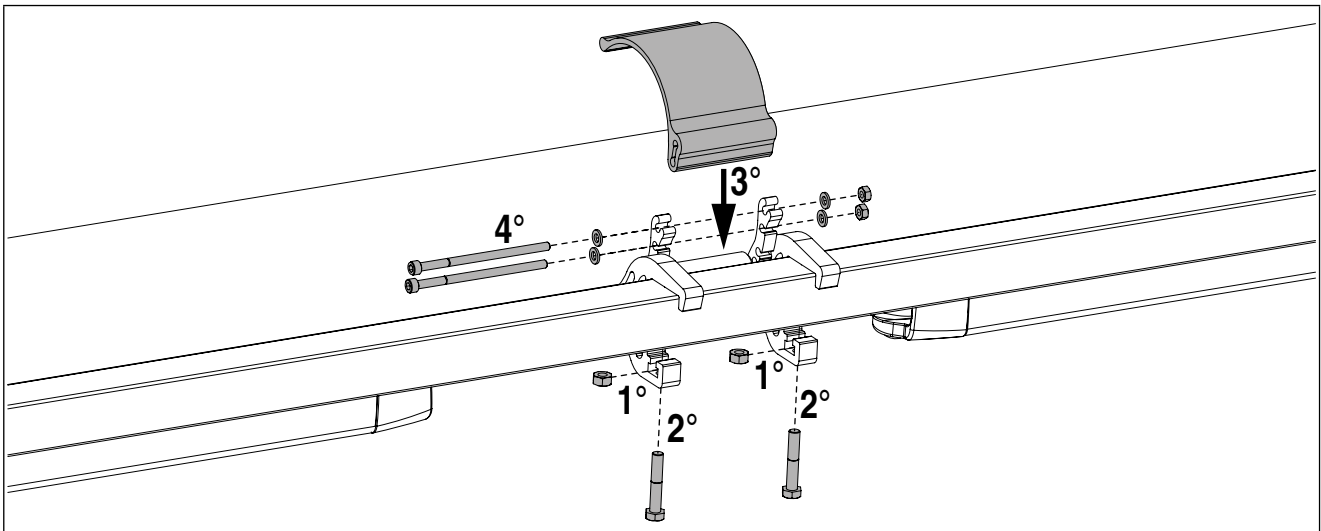


Pic. 5

1.3 New belt assembly



Pic. 6



Pic. 7