

Technical information, specifications, options & metric dimensions



Tel (305) 628-2424

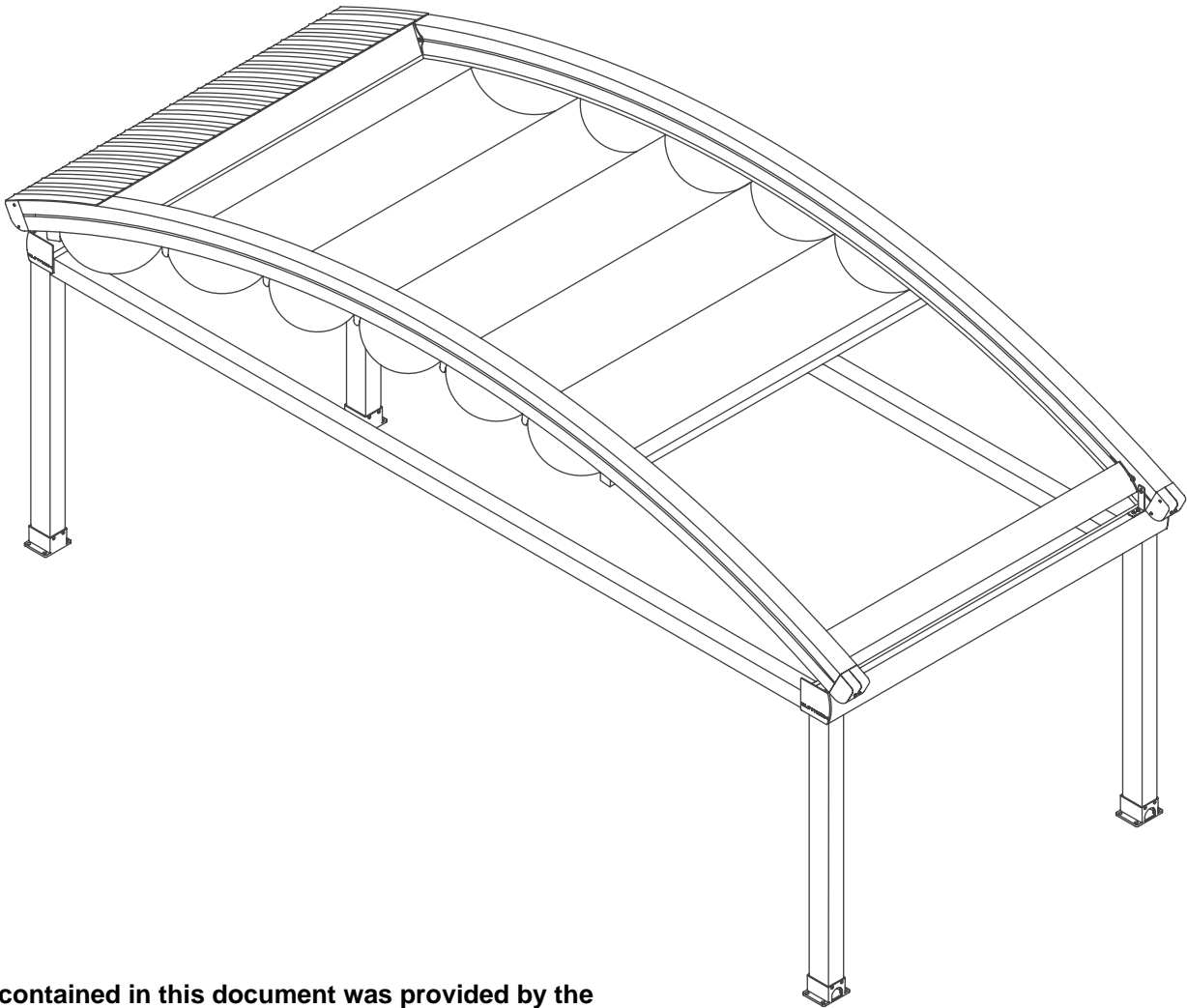
Tel (866) 438-2964

Email: [info@retractableawnings.com](mailto:info@retractableawnings.com)

*All weather protection systems!*

**RETRACTABLE**  
**AWNINGS.COM**

## CURVED RETRACTABLE FREE STANDING SYSTEM

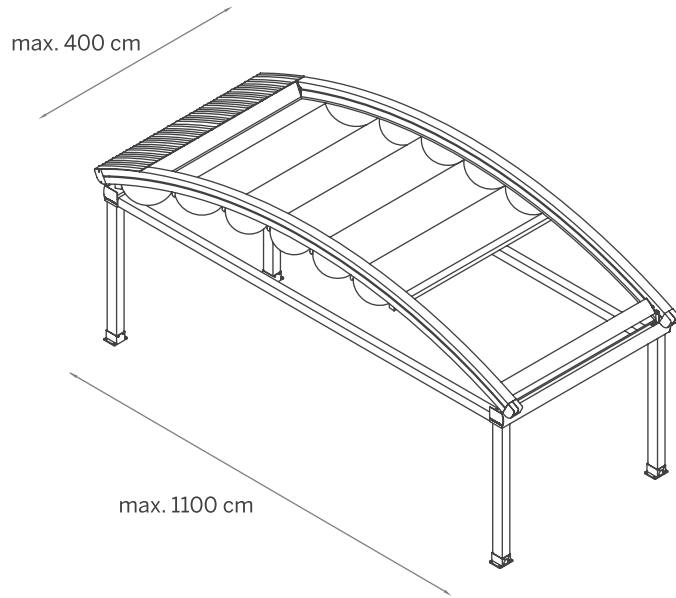


All information contained in this document was provided by the manufacturer of the components for this particular model. As a fabricator/distributor, Retractableawnings.com Inc. claims no liability with respect to these documents as we are not engineers and did not complete any of the information, engineering or calculations in this document.

All measurements in this document are metric. To convert from metric (meters, centimeters and millimeters) to imperial (feet and inches) visit this website:  
[http://www.onlineconversion.com/length\\_common.htm](http://www.onlineconversion.com/length_common.htm)

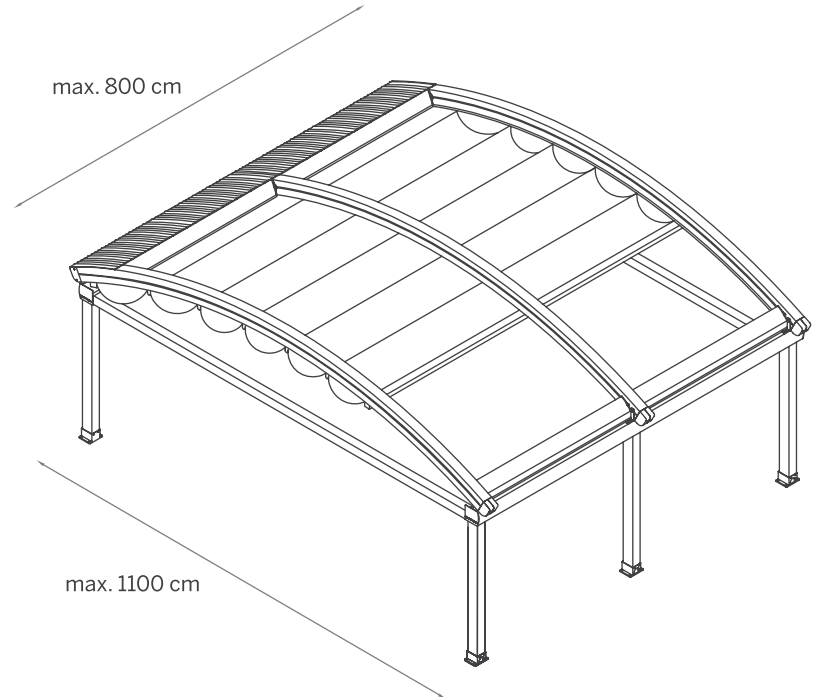
**One Module**

200 cm > 400 cm  
One Module with one motor & 2 rafters



**Two Modules**

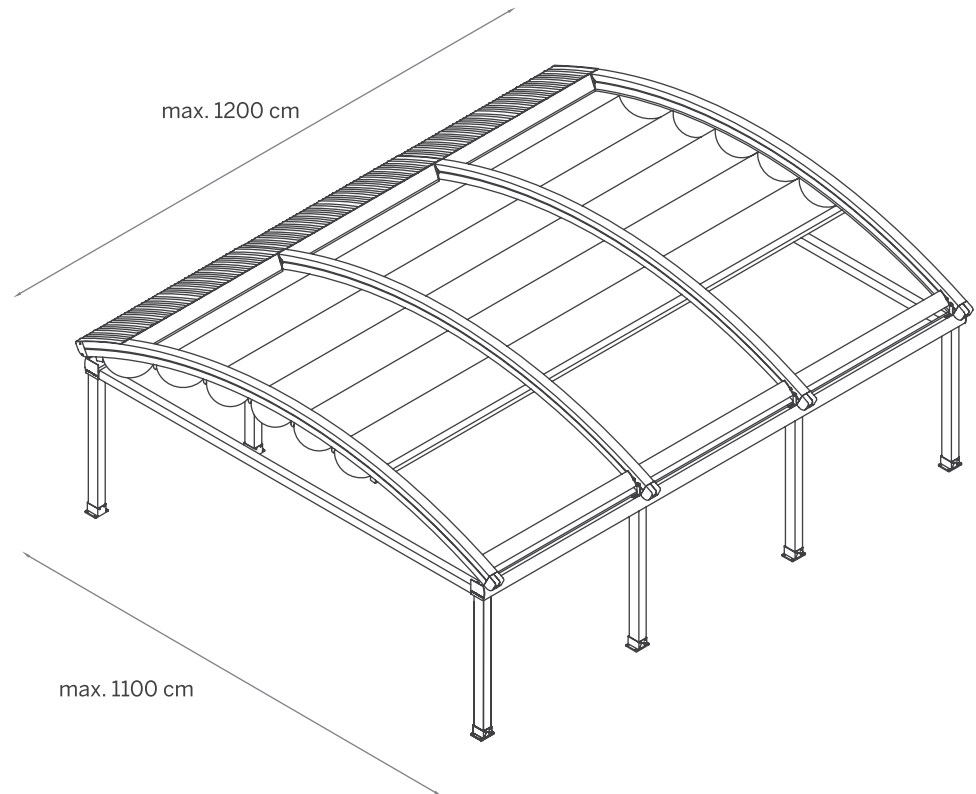
400 cm > 800 cm  
Two Modules with one motor & 3 rafters



**Three Modules**

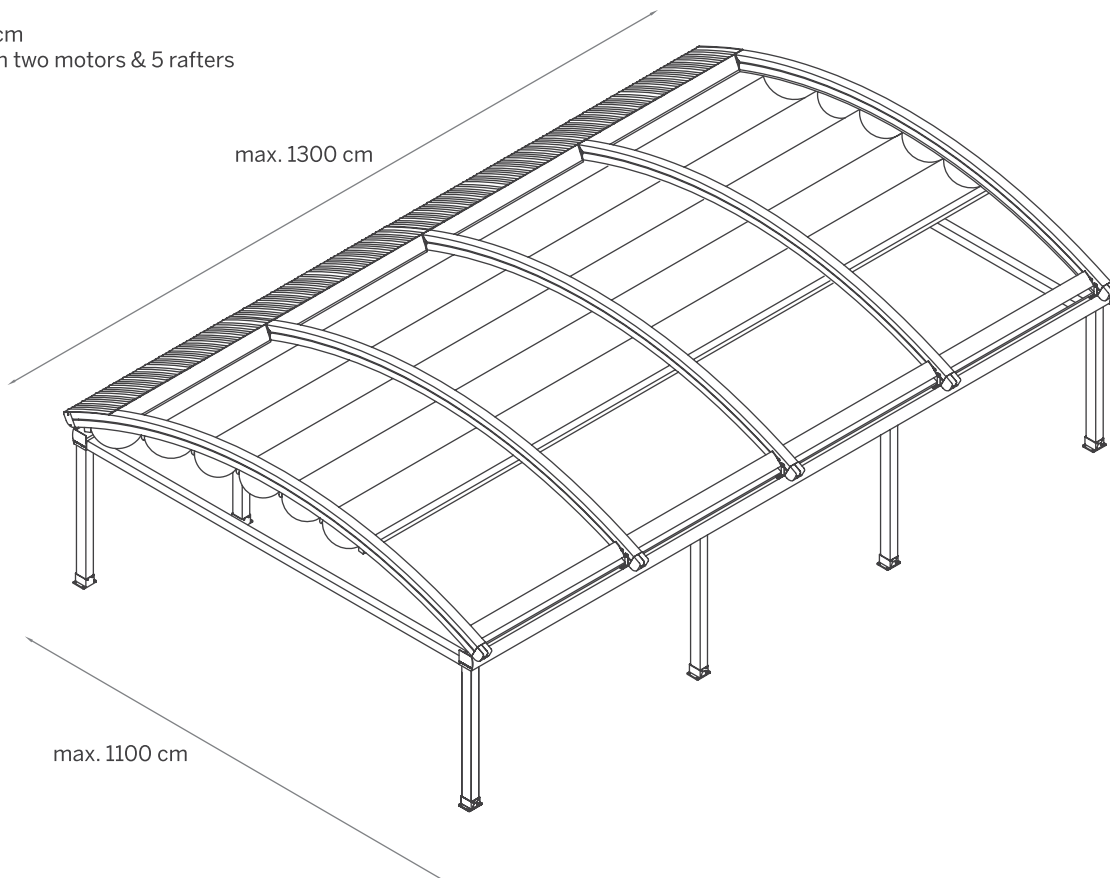
800 cm &gt; 1200 cm

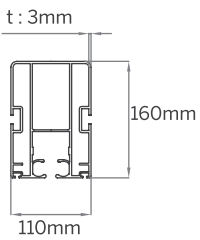
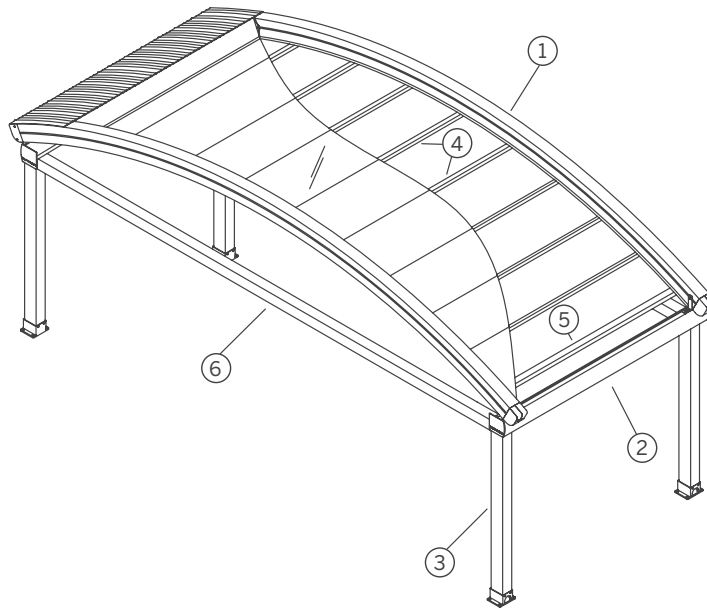
Three Modules with two motors &amp; 4 rafters

**Four Modules**

1200 cm &gt; 1300 cm

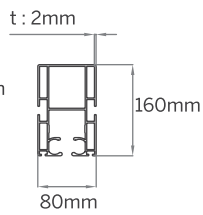
Four Modules with two motors &amp; 5 rafters





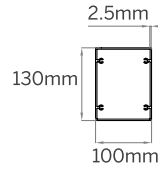
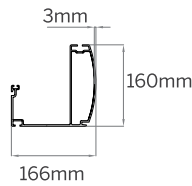
XL

① Rafter

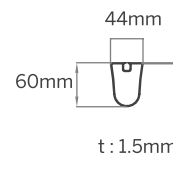


LT

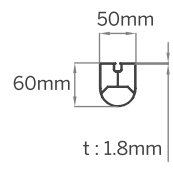
② Gutter



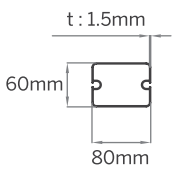
③ Post



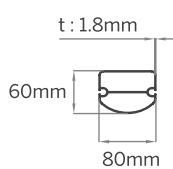
④ Fabric Support (Standart)



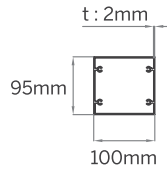
④ Fabric Support (HDD Lux)



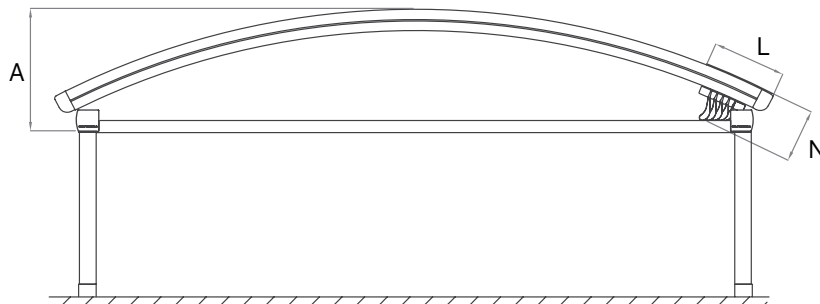
⑤ Puller Profile (Standart)



⑤ Puller Profile (HDD Lux)



⑥ Side Rafter



## LT

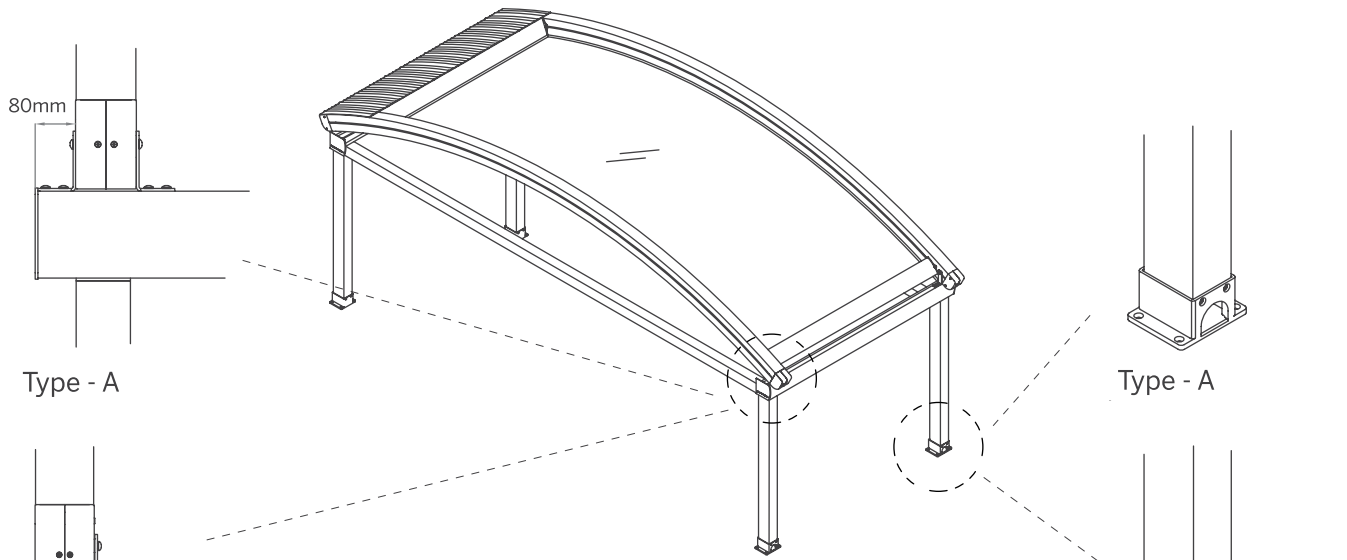
	Fabric Height	Hood	Fall	Fab.Sup.Profiles
	(N*) mm	(L*) mm	(A*) mm	pc*
300	370	731	588	9
350	370	724	705	9
400	370	830	779	11
450	370	962	922	13
500	370	953	843	13
550	370	1066	967	15
600	370	1178	847	17
650	370	1190	949	17
700	370	1281	962	19

\*Values can vary by different radius values.

## XL

	Fabric Height	Hood	Fall	Fab.Sup.Profiles
	(N*) mm	(L*) mm	(A*) mm	pc*
300	370	755	623	9
350	370	744	740	9
400	370	848	814	11
450	370	968	957	13
500	370	950	878	13
550	370	1078	1002	15
600	370	1178	882	17
650	370	1192	984	17
700	370	1288	997	19
750	370	1406	1101	21
800	370	1390	1086	21
850	370	1493	1189	23
900	370	1502	1137	23
950	370	1612	1234	25
1000	370	1635	1238	25
1050	370	1726	1202	27
1100	370	1724	1202	27

\*Values can vary by different radius values.

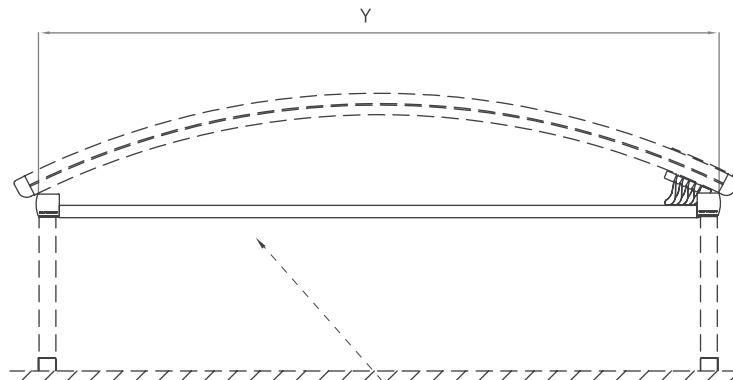
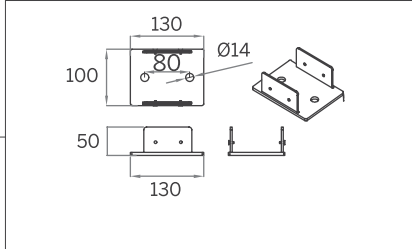
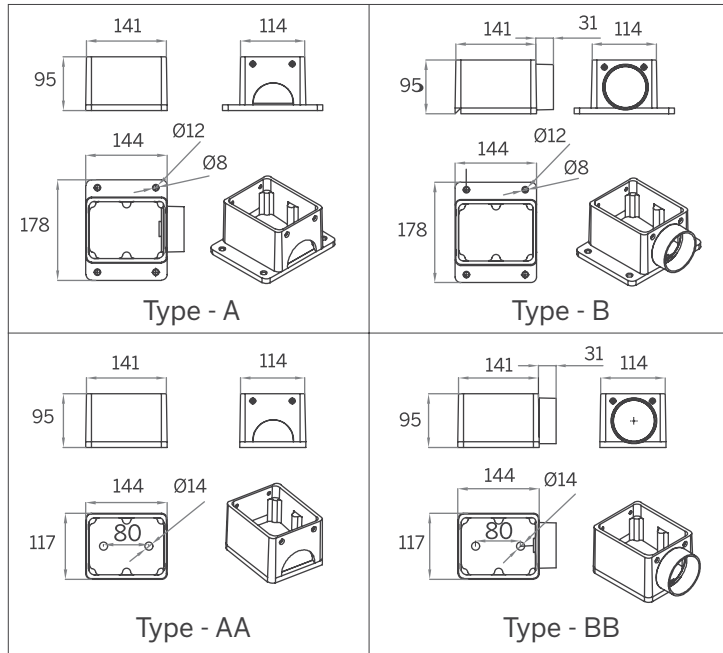


Type - A

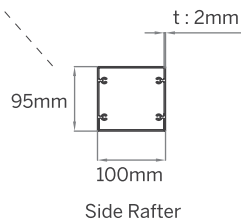
Type - A

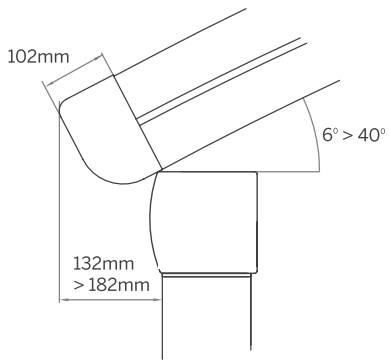
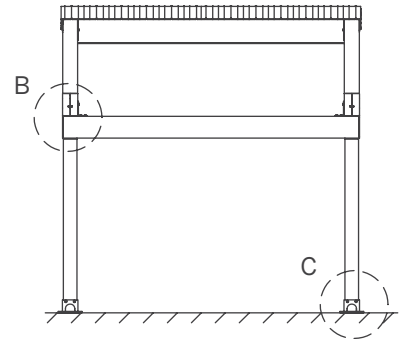
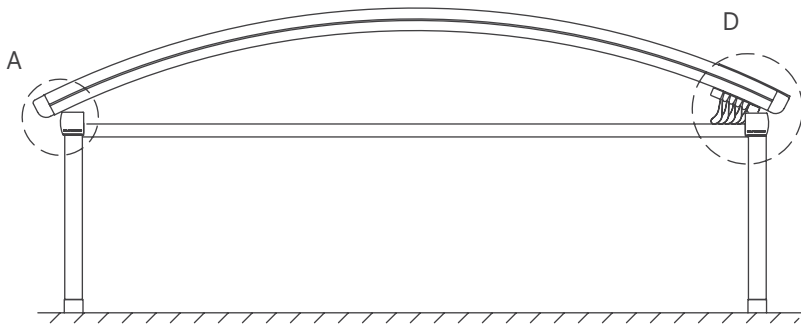
Type - B

Type - B

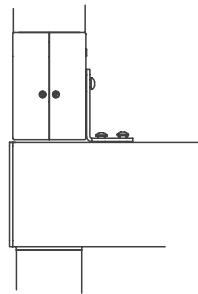


Over 800 cm projection, a support column needed for side rafter

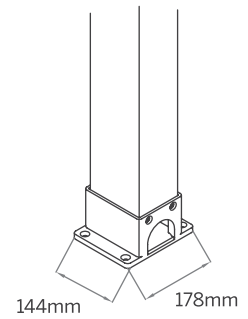




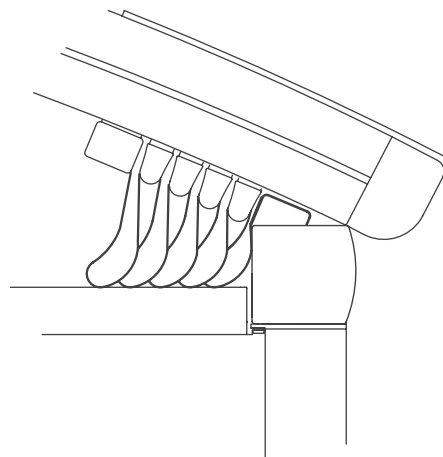
DETAIL A



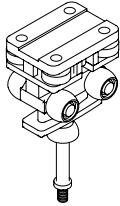
DETAIL B



DETAIL C

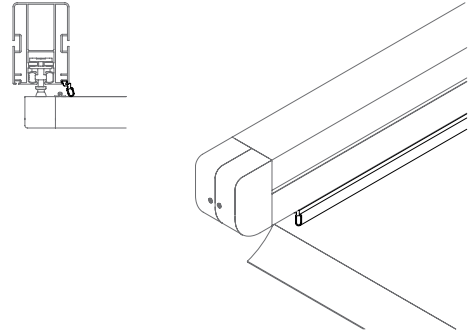


DETAIL D



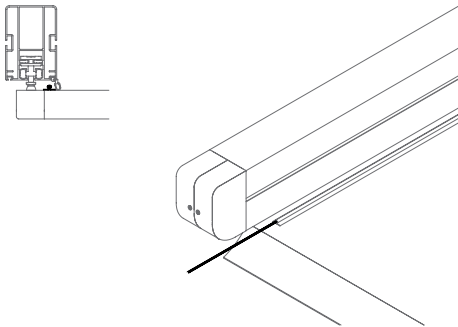
### F3 Eight wheel slider

Four horizontal & four vertical rollers working together for perfectly smooth operation every time. The F3 eight wheel system is proven to remove the jamming issue that occurs with the 4 wheel system and can take loads of upto 600KG.



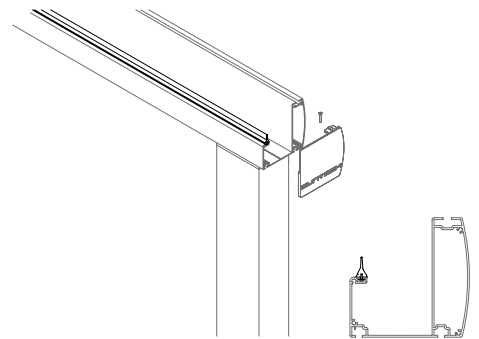
### Rafter stormguard edge seal

The rafter Stormguard edge seal stops water from dripping over the side of the system by providing a soft cushioning barrier along the side of the system.



### Fabric anti-drop edge cord with electrical cable

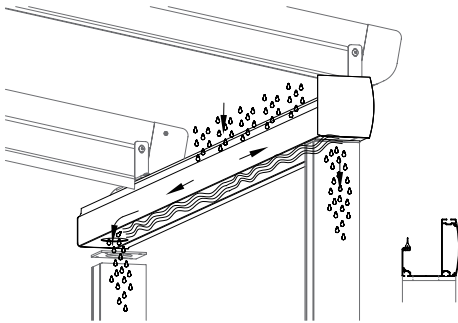
The fabric anti-drip edge cord with integrated lighting electrical cable works in conjunction with the Stormguard edge seal to prevent any water leaks over the side of the system.



### Gutter stormguard seal

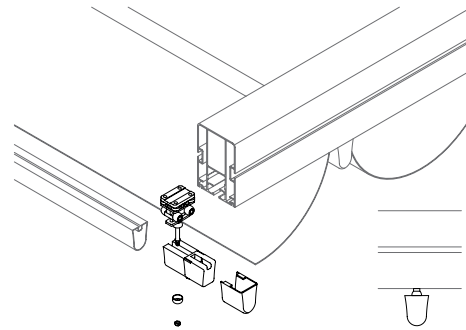
The Stormguard gutter seal provides a perfect seal to prevent water leaks along the front of the system from driving rain or splashing from the gutter.





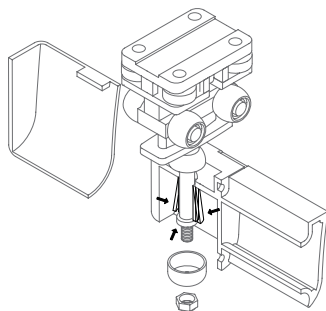
### Integrated gutter & internal drainage system

The integrated gutter system provides the perfect solution for water drainage.



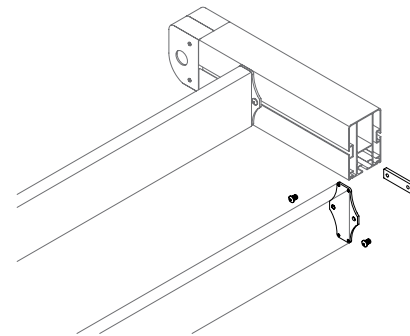
### F3 slider and fabric profile assembly

The system has been designed for ease of assembly to save time on installations and reduce the number of staff required.



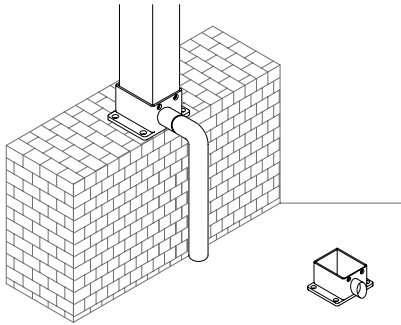
### F3 slider easy clip installation

The F3 system has been designed for ease of use, to save time on installations and reduce the number of staff required. Each F3 slider can take loads of upto 600KG once in place.



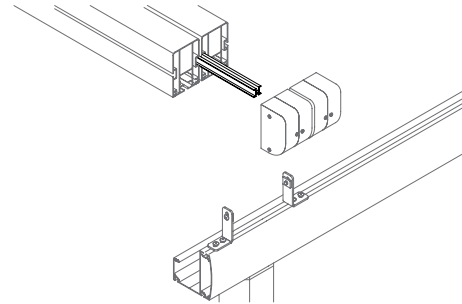
### Motorbox support & hood support profile easy installation

Each support profile is easy to install and simple to adjust at the time of installation.



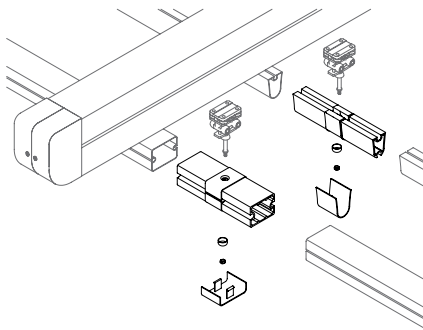
### Base plate with external spout

This base plate provides a water dispersal solution.



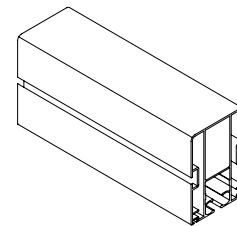
### Storm channel for joining system

The storm channel is patented solution for joining two systems side by side with a waterproof join.



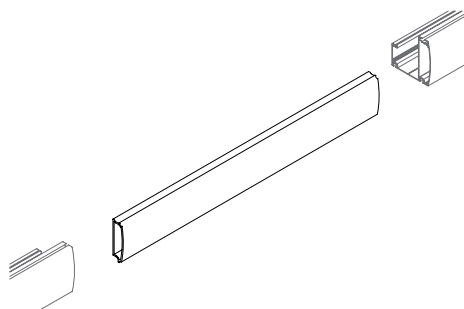
### Easy clip intermediate joints (for 2 & 3 module systems)

The Easy clip intermediate joints have been designed for ease of site assembly to save time and reduce the number of staff required.



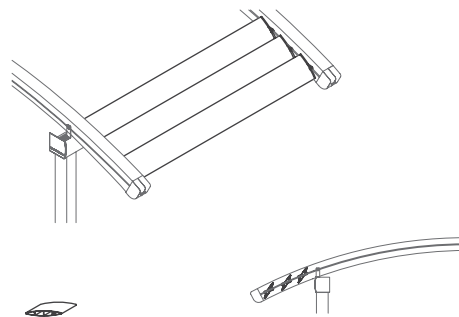
### Rafter profile with side channels for easy installation

The rafter profiles are designed with functional side channels for easy installation.



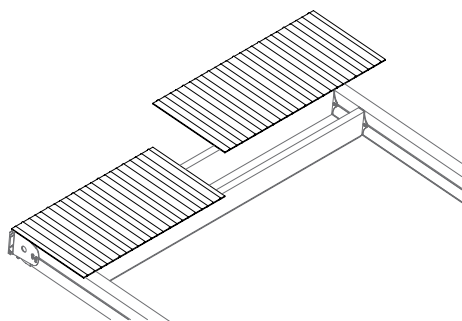
### Gutter profile joining bar

A smart solution for joining the gutter profiles.



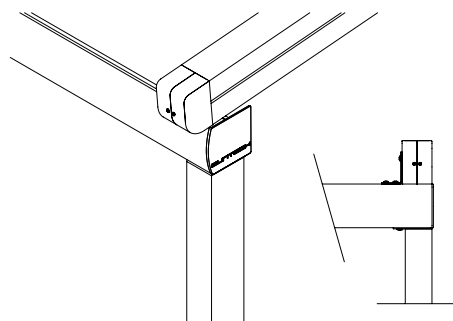
### Aerofoil Louvres

The addition of Aerofoil louvres can provide added shade when the system is closed.



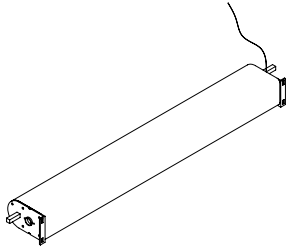
### Hood profile sheets

hood profile sheets provide an attractive covering solution for the system when not in use. The low profile aesthetic design offers additional protection to the system with a chic touch.



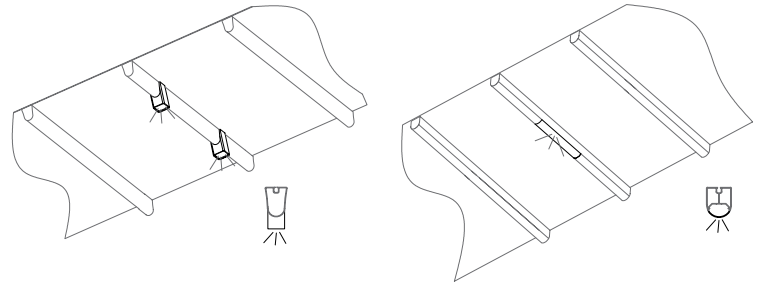
### Gutter flush with rafter

Gutter solution when the system is installed next to a wall or no overhang of the gutter is required.



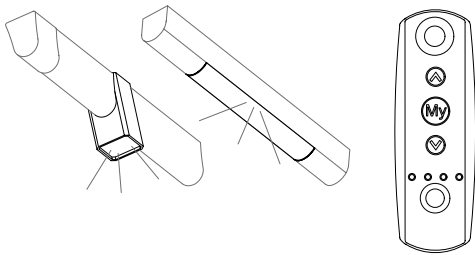
### Compact 26rpm direct drive motor box

The direct drive motor system is a quick and efficient system that drives all conveyor rafters at the same time. The low profile design also allows the fabric to be stored underneath the motor which saves additional space.



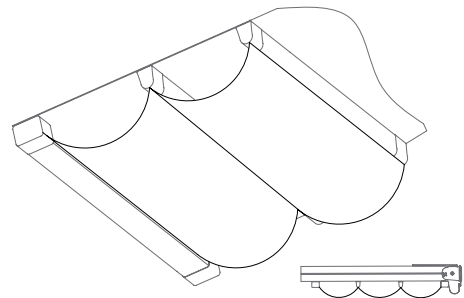
### LED-TECH high powered lighting

LED-TECH lighting is an integrated lighting solution that can be added



### LED-TECH dimmer setup

LED-TECH dimmer lighting is an integrated lighting solution that can be added

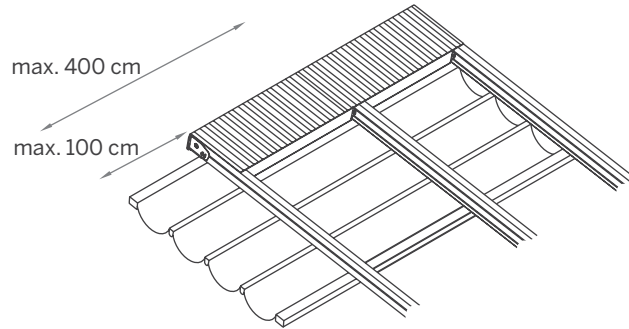


### Decorative fabric under layer

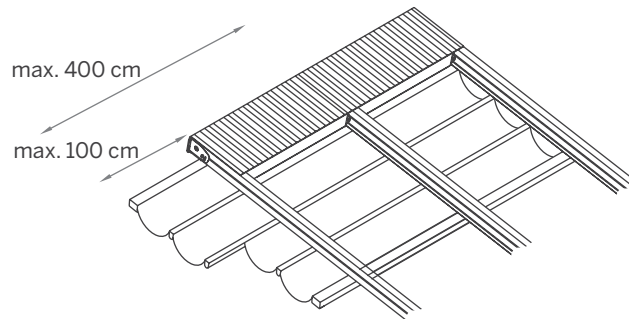
The second decorative fabric under layer of fabric can provide an elegant touch of design.

This page was intentionally left blank

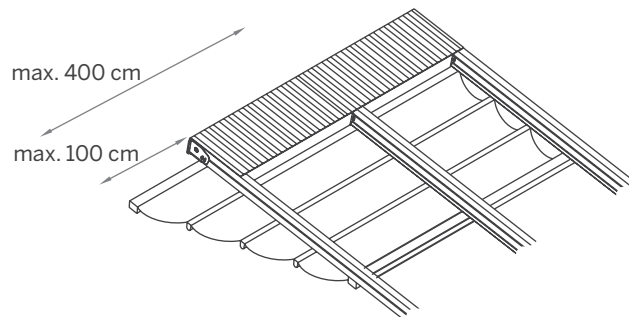
type I

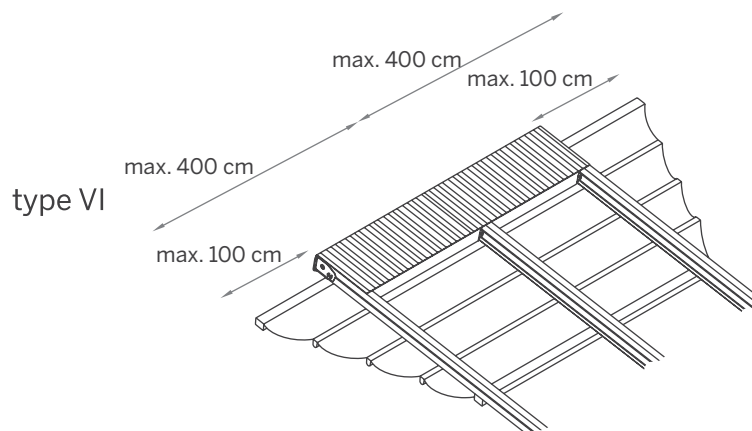
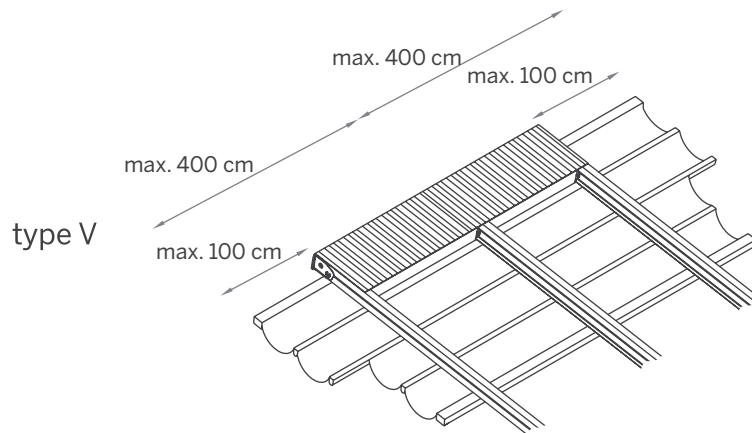
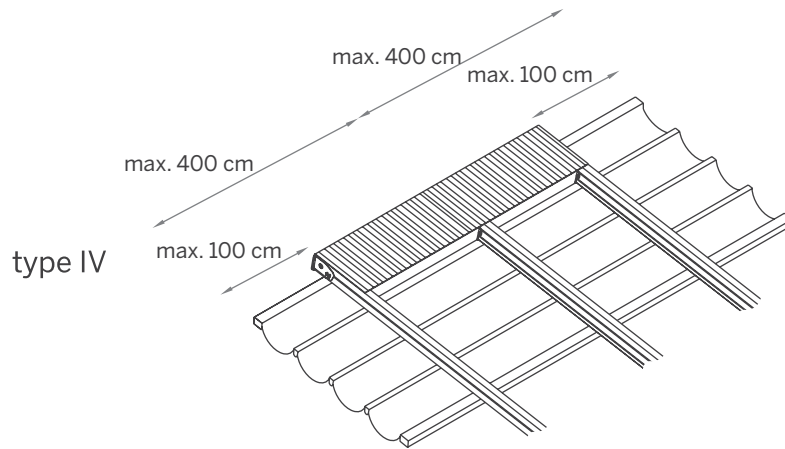


type II

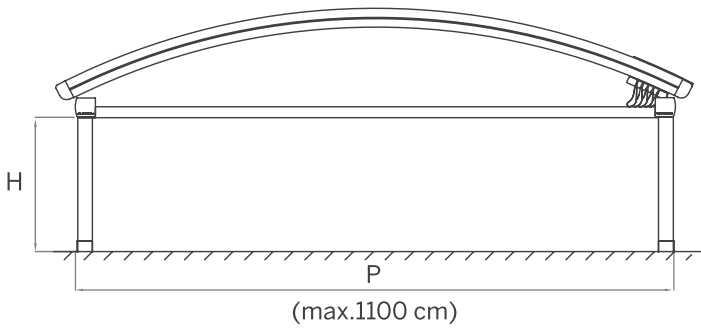


type III



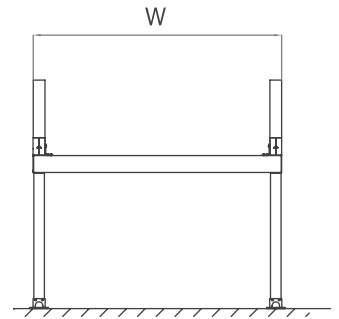


Each system is available with an optional overhang to allow the covered area to protrude past the rafter profile. Site specific overhang solutions such as stepped or wedge shapes are also an effective way to get maximum coverage for your areas.



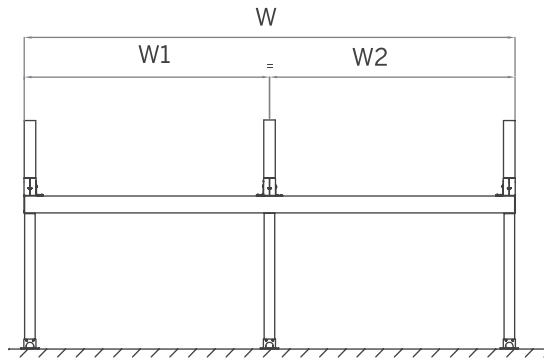
**One Module**

200 cm > 400 cm  
One Module with one motor & 2 rafters



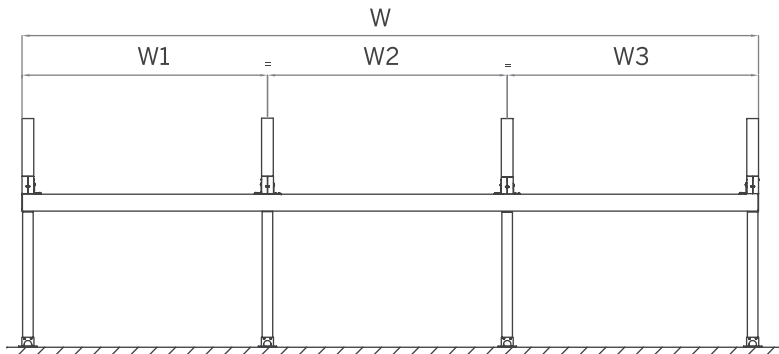
**Two Modules**

400 cm > 800 cm  
Two Modules with one motor & 3 rafters



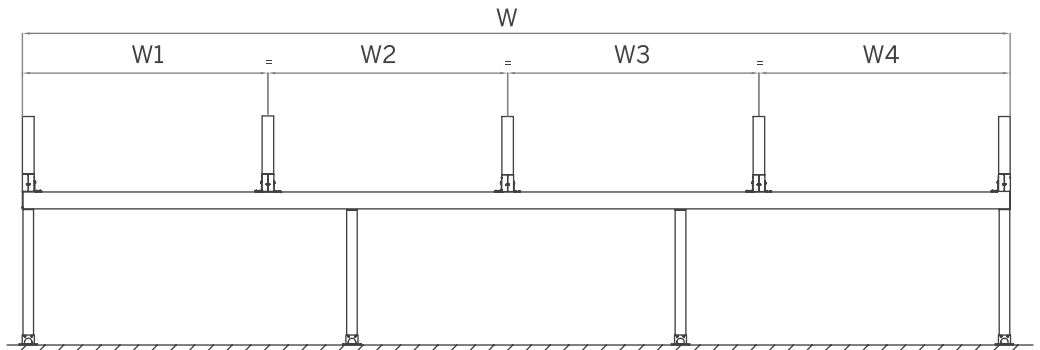
**Three Modules**

800 cm > 1200 cm  
Three Modules with two motors & 4 rafters



**Four Modules**

1200 cm > 1300 cm  
Four Modules with two motors & 5 rafters





Company Name:  
Order Reference:

Order Date:  
Quantity:

**SERIAL**  XL  LT

### DIMENSIONS

W - Total Width .....cm

P - Projection .....cm

H - Front / Post Height .....cm

Total Number of Posts Required .....pc  
(Maximum span between posts with gutter profile is 600cm)

If modules are multiple and each module is in different width, please provide details (max. width for single module is 400cm, double modules 800cm, triple modules 1200cm, four modules 1300cm)

W 1 .....cm

W 2 .....cm

W 3 .....cm

W 4 .....cm

### POWDERCOAT COLORS

RAL colors	Exclusive colors	Texture colors	
<input type="checkbox"/> RAL 9016	<input type="checkbox"/> OGN35	<input type="checkbox"/> ST9010	<input type="checkbox"/> Other...
<input type="checkbox"/> RAL 1013	<input type="checkbox"/> OS561	<input type="checkbox"/> ST9001	
<input type="checkbox"/> RAL 9006	<input type="checkbox"/> OY395	<input type="checkbox"/> ST1013	
<input type="checkbox"/> RAL 7006	<input type="checkbox"/> OGN39	<input type="checkbox"/> ST7039	
<input type="checkbox"/> RAL 7016	<input type="checkbox"/> ON617	<input type="checkbox"/> ST7016	
<input type="checkbox"/> RAL 9005	<input type="checkbox"/> ON611	<input type="checkbox"/> ST8019	

### FABRIC

Basic	Semi Transparent	
<input type="checkbox"/> WT785 / White	<input type="checkbox"/> STRW22 / White	<input type="checkbox"/> Other...
<input type="checkbox"/> CR295 / Cream	<input type="checkbox"/> STRB33 / Black	
Xclusive	Matt	
<input type="checkbox"/> WTEX / White	<input type="checkbox"/> MW23 / White	
<input type="checkbox"/> CRMX / Cream	<input type="checkbox"/> MC26 / Cappuccino	
<input type="checkbox"/> GRYX / Grey		

### OPTIONALS

- |   |   |
|---|---|
| <input type="checkbox"/> STANDARD High Power Led Lighting                         | <input type="checkbox"/> Gutter Flush with Rafter (Type B-Flush Finish)   |
| <input type="checkbox"/> HDD LUX High Power Led Lighting                          | <input type="checkbox"/> Additional Rail ..... pc   |
| <input type="checkbox"/> Dimmer Kit   | <input type="checkbox"/> Side Overhang (max. 100cm per side) Type..... ( I / II / III / IV / V / VI )<br>Left Overhang:.....cm Right Overhang:.....cm |
| <input type="checkbox"/> Aerofoil Louvre (Line) .....pc                           | <input type="checkbox"/> Storm Channel for Joining System & Double Rafter Wall<br>Bracket Kit (for Multiple Systems)                                  |
| <input type="checkbox"/> Support Post of Side Rafter ..... cm<br>Quantity .....pc |   |

### POST INSTALLATION BASE

- |  |  |
|--|--|
| <input type="checkbox"/> Type A (Arch Opening) | <input type="checkbox"/> Type AA (Without Extension) |
| <input type="checkbox"/> Type B (Spout)        | <input type="checkbox"/> Type BB (Without Extension) |
| <input type="checkbox"/> Type Hidden           |  |

**ADDITIONAL NOTES & DRAWINGS ATTACHED**