



All weather protection systems!

RETRACTABLE

AWNINGS.COM



Optional pulley system installation instructions

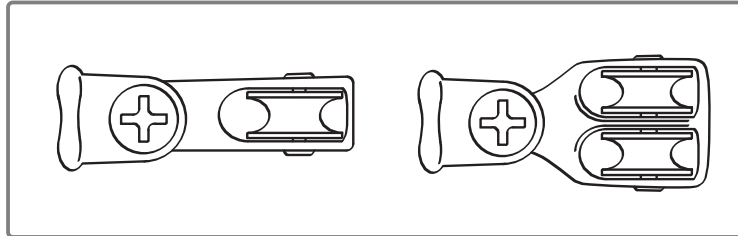
Overview

The pulley system consists of two single and two double sheave pulleys with the rope running center and above to the canopy. The rope is threaded in a loop between all pulleys and attached on both ends to the central clip of the leading profile.

Pulling the rope down in one direction opens the canopy and the opposite direction closes the canopy.

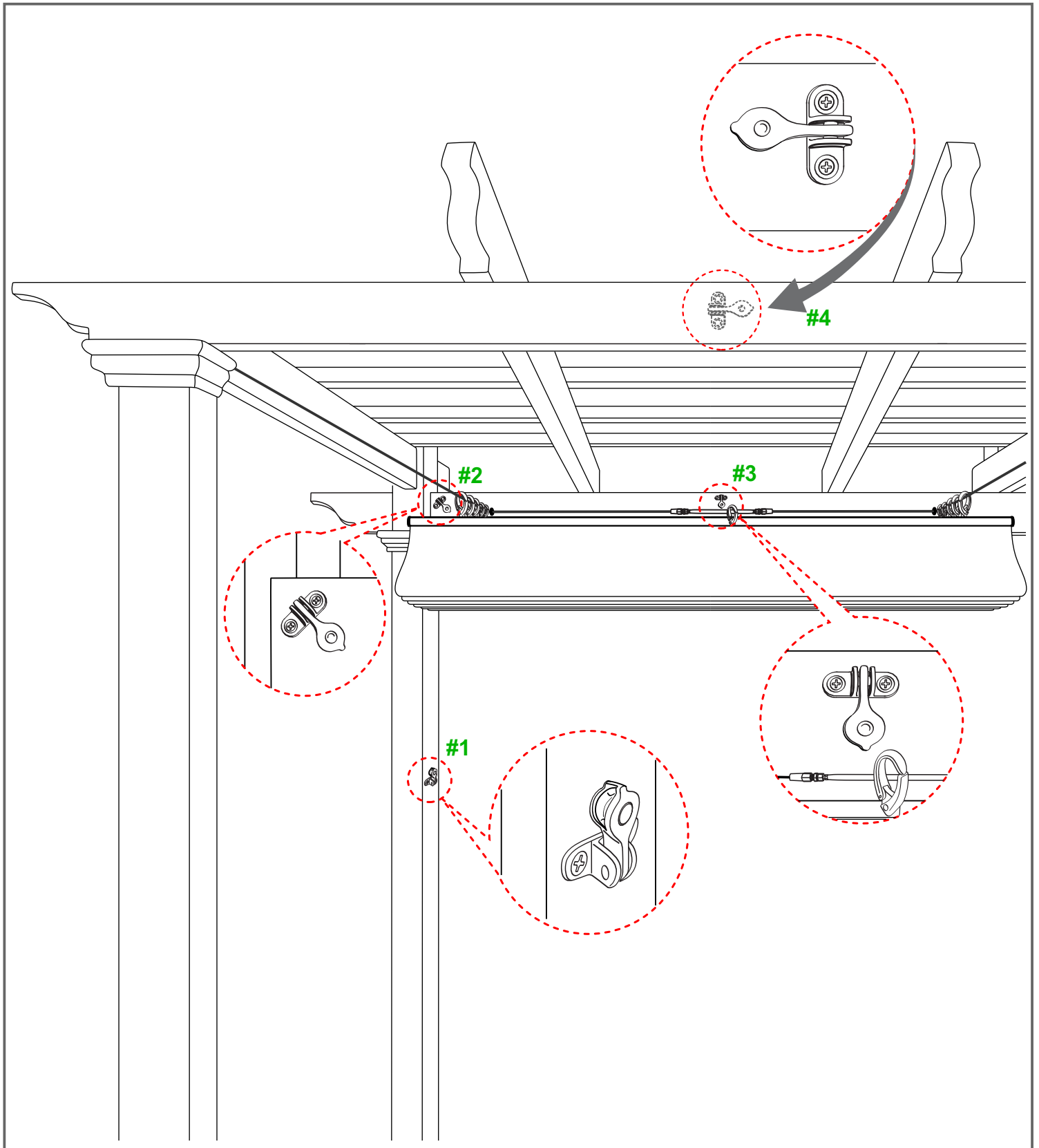
PARTS LISTING

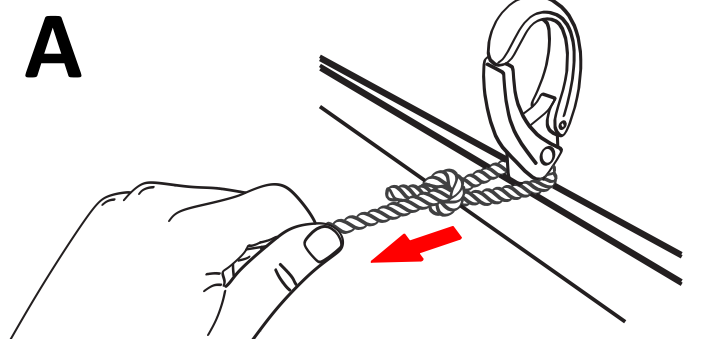
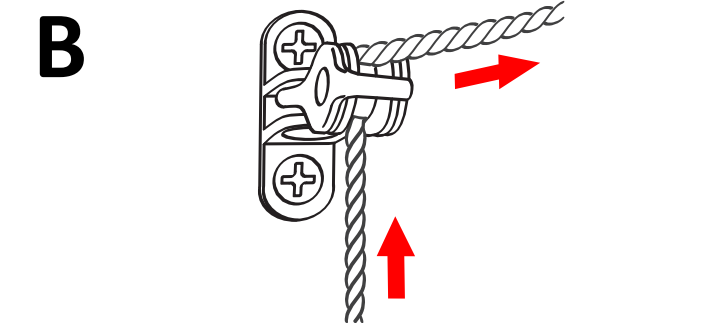
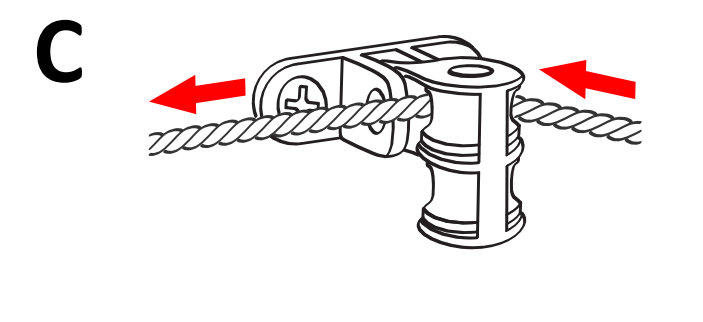
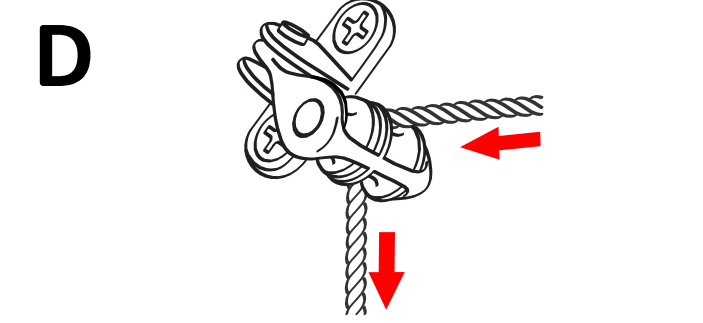
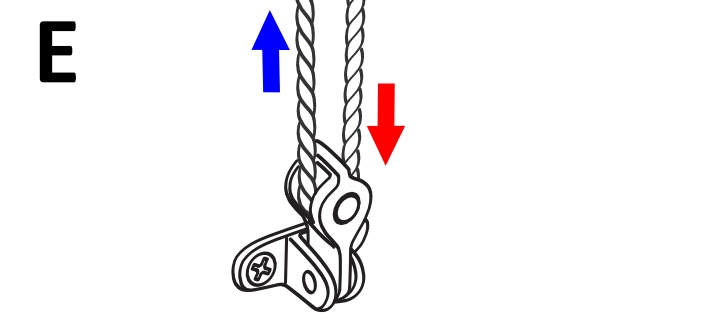
- Single Sheave Pulley x 2
- Double Sheave Pulley x 2
- Wood Screws x 8
- Rope



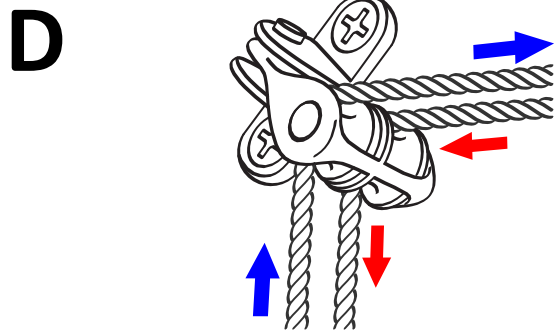
INSTALLATION

<ul style="list-style-type: none"> • Start at the stationary side of the canopy. On left or right side of the canopy install a single sheave pulley on the wall or the post in <u>Horizontal</u> direction at the desired level. The pulleys have a joint allowing the pulley to bend 90 degrees up or down on the base. Bend the pulley's head so it points upward. 	
<ul style="list-style-type: none"> • Directly above the first pulley and 1-2 inches above the canopy's cables install a double sheave pulley in <u>45 degree angle</u> with the upper screw pointing towards the center of the canopy. Bend the pulley's head towards the middle of the canopy. 	
<ul style="list-style-type: none"> • Install the third pulley (double sheave) in <u>Horizontal</u> direction in line with the second pulley and center to the canopy. 	
<ul style="list-style-type: none"> • On the opposite side where the canopy opens toward install the fourth pulley (single sheave) in <u>Vertical</u> direction directly opposite the third pulley. Confirm that all pulleys are in line and the pulleys 3 and 4 are centered to the canopy and few inches above it. You are now ready to install the rope. 	

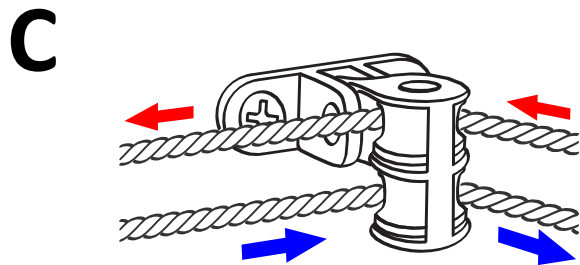


<ul style="list-style-type: none"> • With the canopy in the closed position tie a loop to one end of the rope and insert it over the middle clip. (Red Arrow) 	<p>A</p> 
<ul style="list-style-type: none"> • Draw the rope to Pulley #4 and thread it upward into the pulley. (Red Arrow) 	<p>B</p> 
<ul style="list-style-type: none"> • Draw the rope to Pulley #3 and thread it into the upper wheel of the pulley. (Red Arrow) 	<p>C</p> 
<ul style="list-style-type: none"> • Draw the rope to Pulley #2 and thread it into the inner sheave of the pulley. (Red Arrow) 	<p>D</p> 
<ul style="list-style-type: none"> • Draw the rope down (Red Arrow) to Pulley #1 and thread it upward into the pulley. (Blue Arrow) 	<p>E</p> 

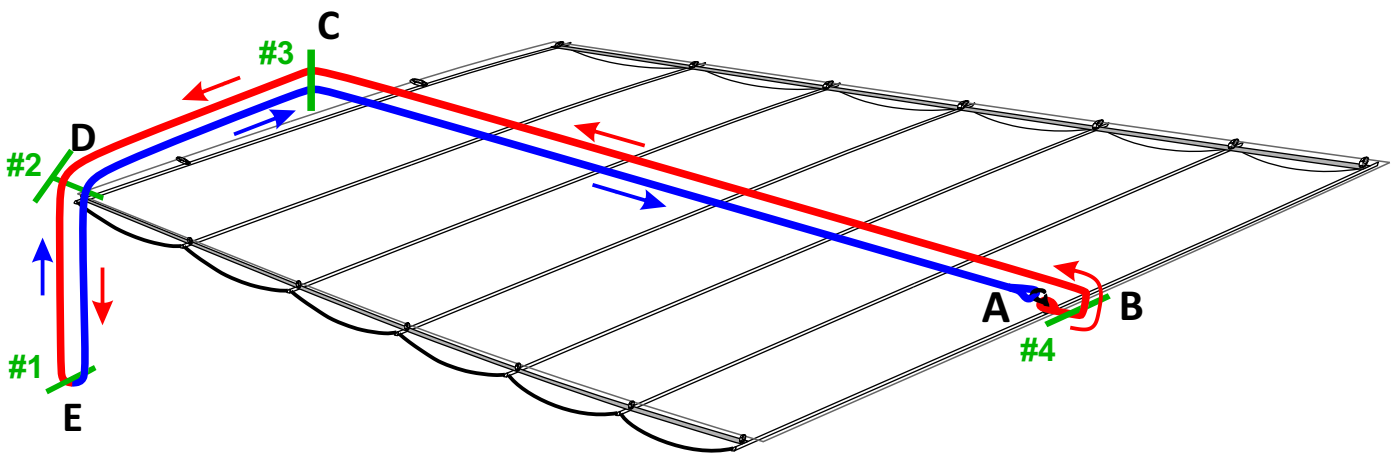
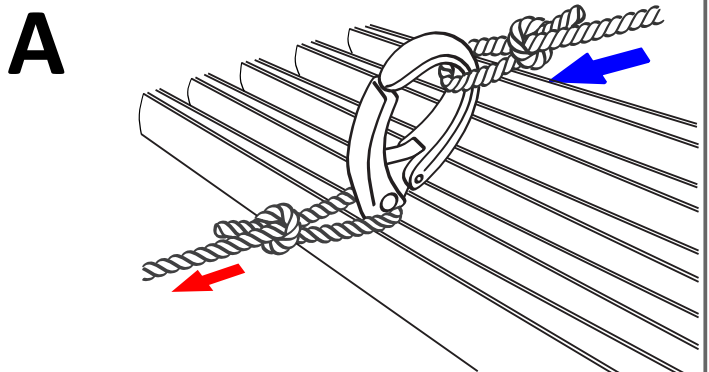
- Draw the rope up towards pulley #2 and thread it into the outer sheave of the pulley. (Blue Arrow)



- Draw the rope towards pulley #3 and thread it into the lower wheel of the pulley.



- Draw the rope towards the middle clip of the canopy then pull tight while preventing the canopy from opening.
- Insert the rope into the middle clip, pull tight and tie it to the middle clip, (blue arrow) then cut the extra rope.
- Make sure the rope is tight in all directions and tighten it more if needed to complete the installation.



You can now open and close by pulling down on the either side of the rope attached to Pulley # 1.