

# Bioclimatique RETRACTABLE version Installation instructions



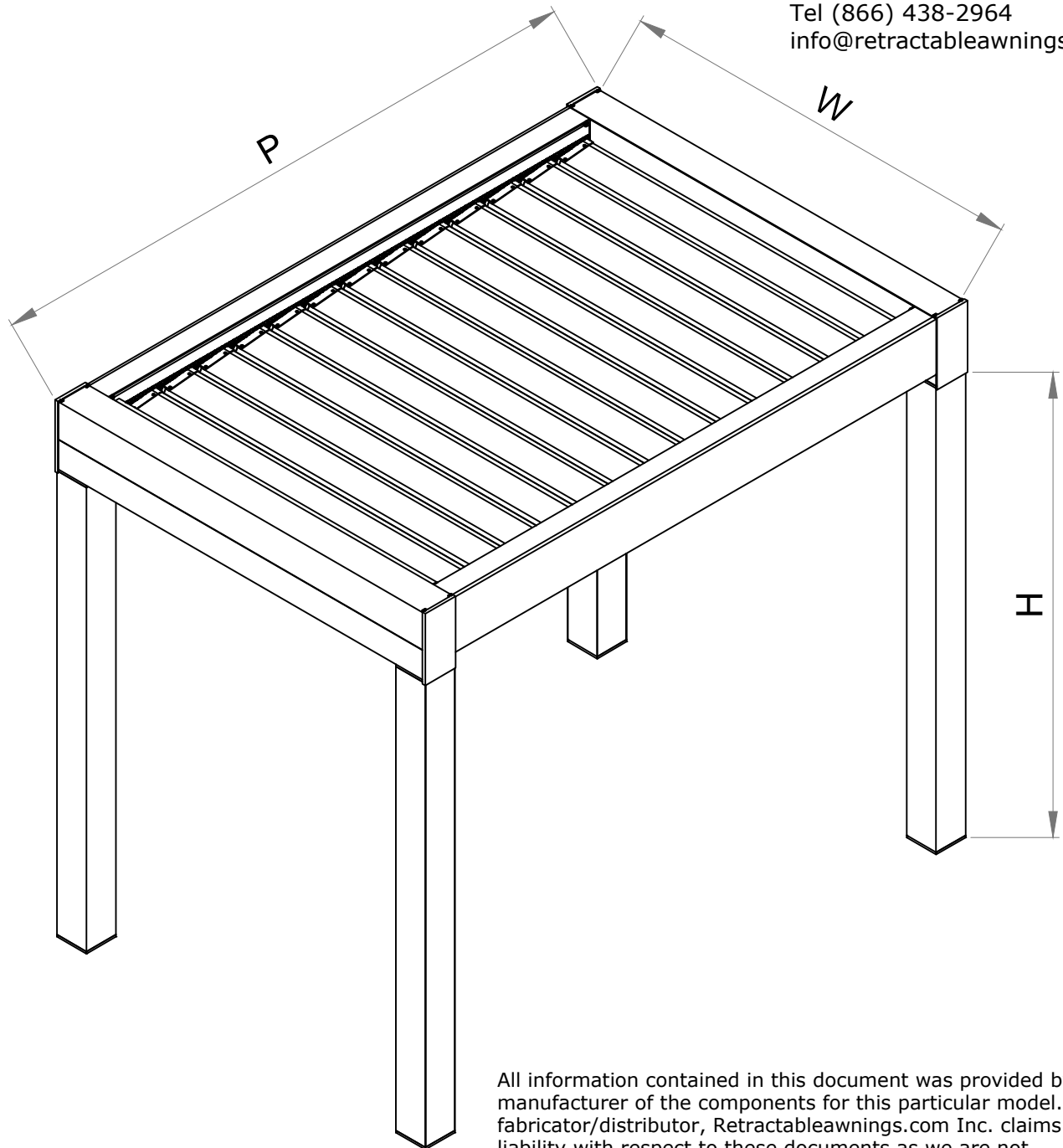
All weather protection systems!

**RETRACTABLE**  
AWNINGS.COM

Tel (305) 628-2424  
Tel (866) 438-2964  
info@retractableawnings.com

One Module

W: 135 cm < 400 cm  
P: 200 cm < 600 cm



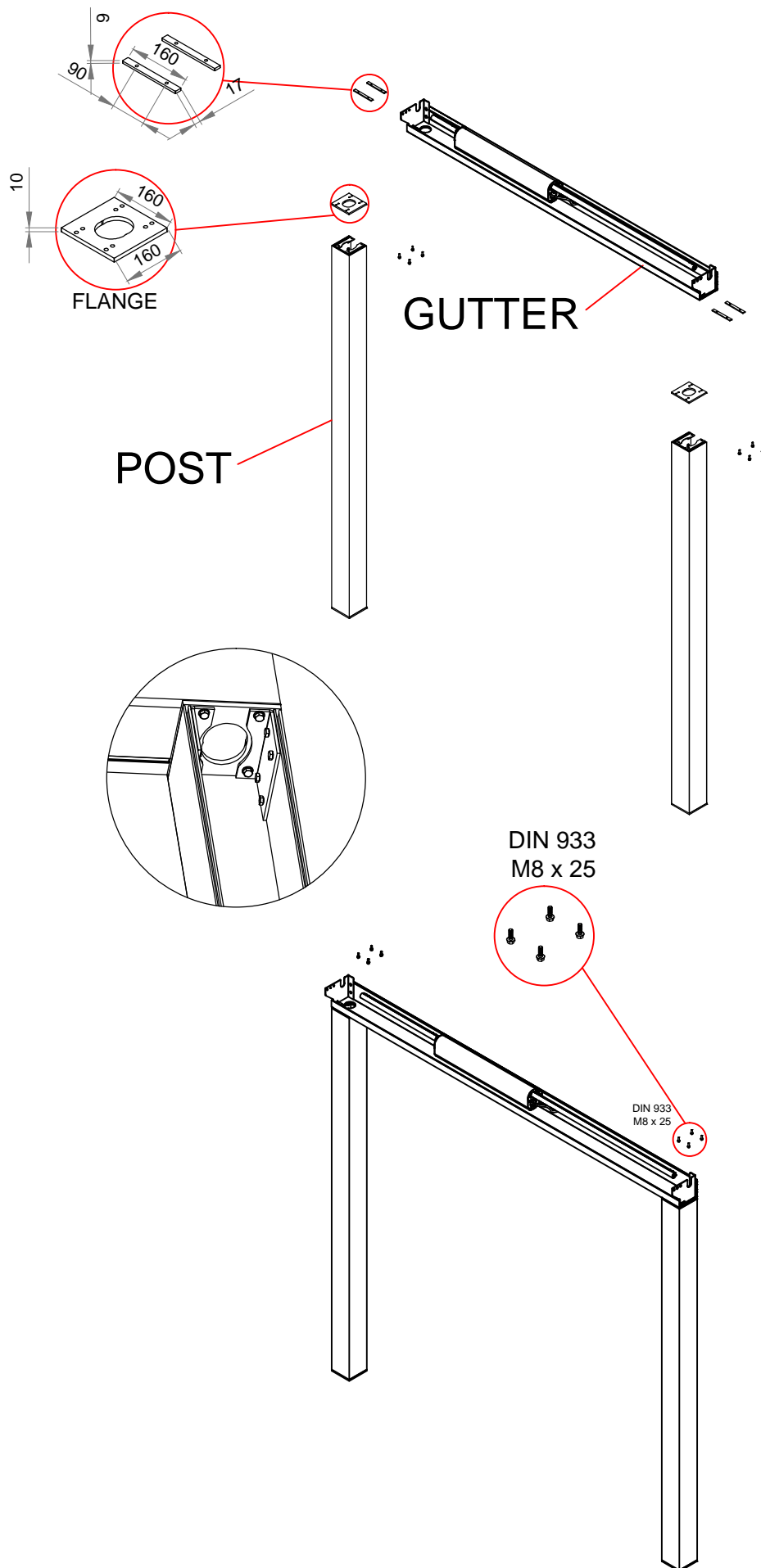
All information contained in this document was provided by the manufacturer of the components for this particular model. As a fabricator/distributor, Retractableawnings.com Inc. claims no liability with respect to these documents as we are not engineers and did not complete any of the information, engineering or calculations in this document.

All measurements in this document are metric. To convert from metric (meters, centimeters and millimeters) to imperial (feet and inches) visit this website:  
[http://www.onlineconversion.com/length\\_common.htm](http://www.onlineconversion.com/length_common.htm)

1

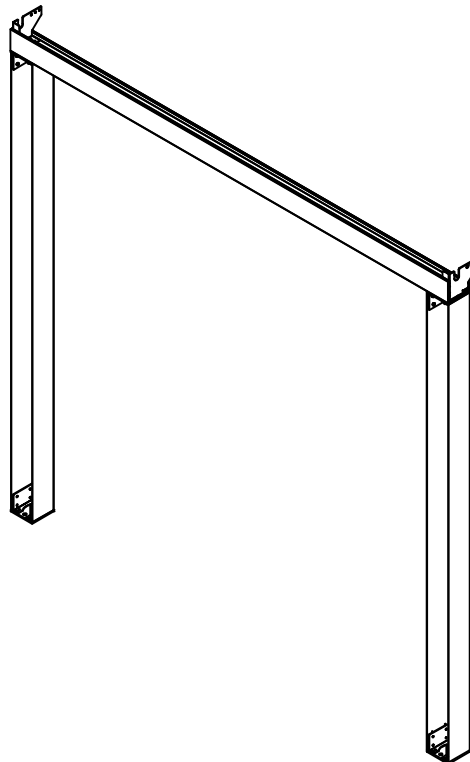
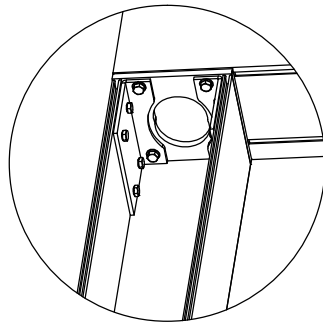
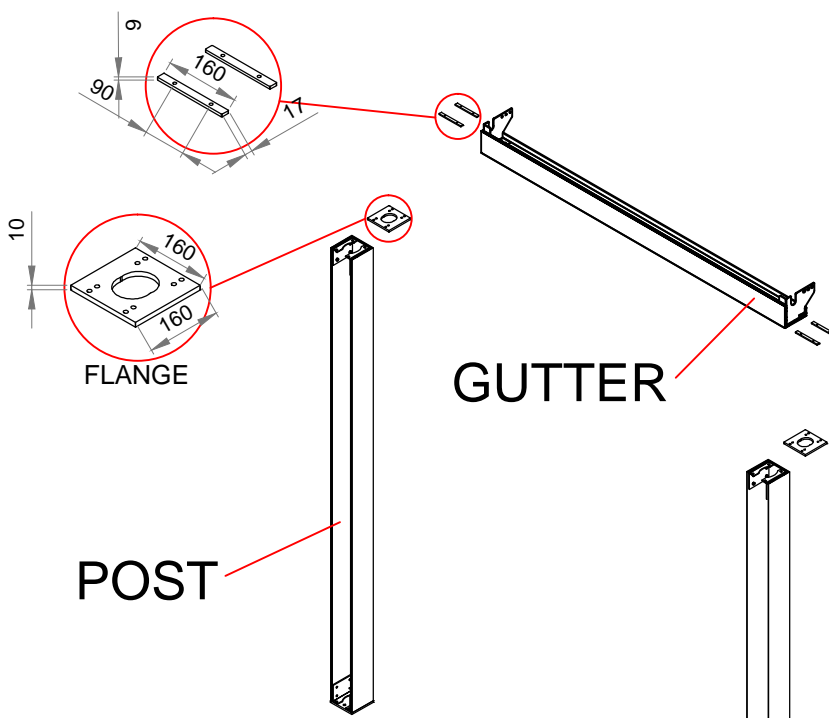
# Installation GUTTER

STEP I  
MOTOR SIDE



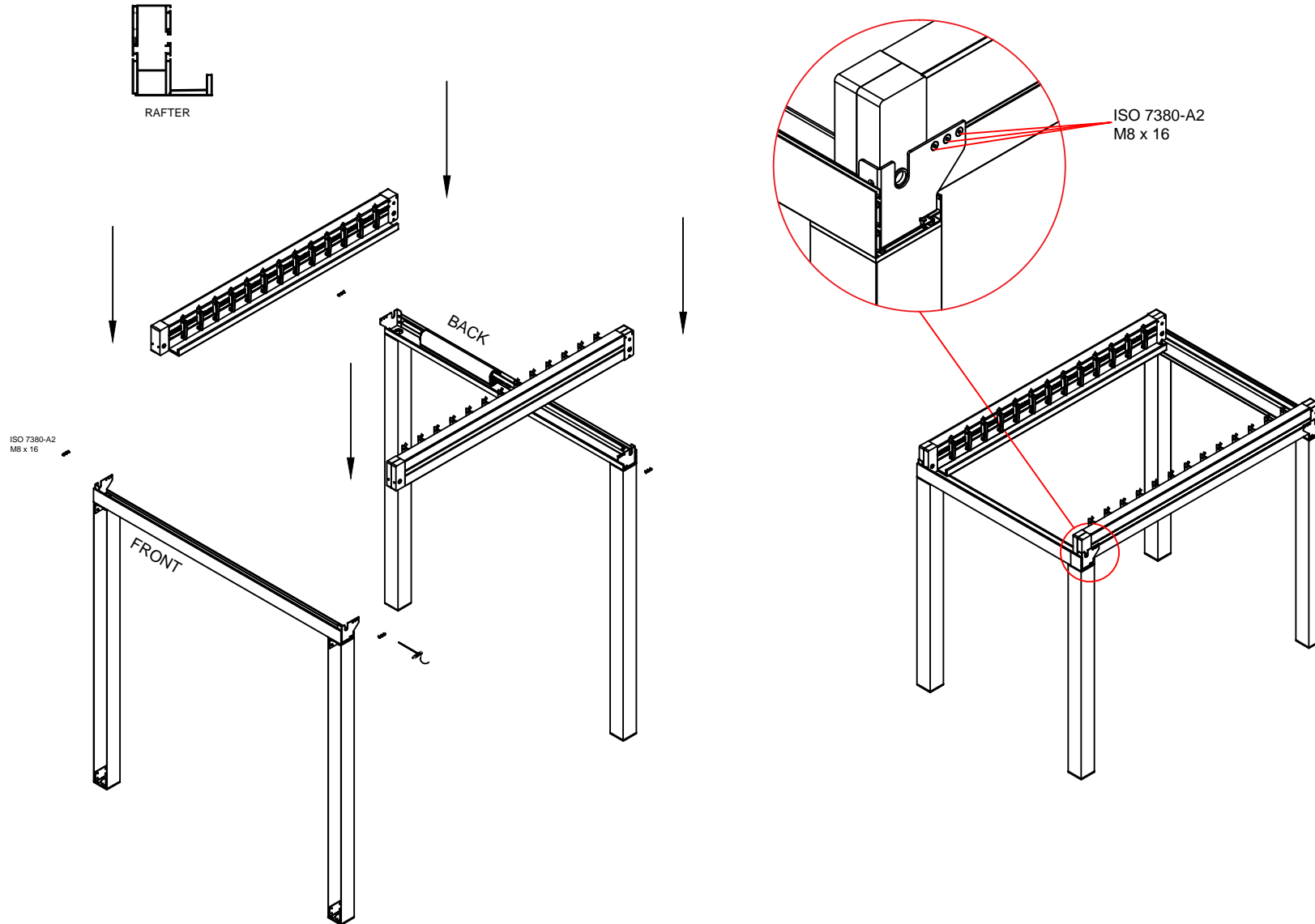
Installation  
GUTTER

STEP II  
FRONT SIDE



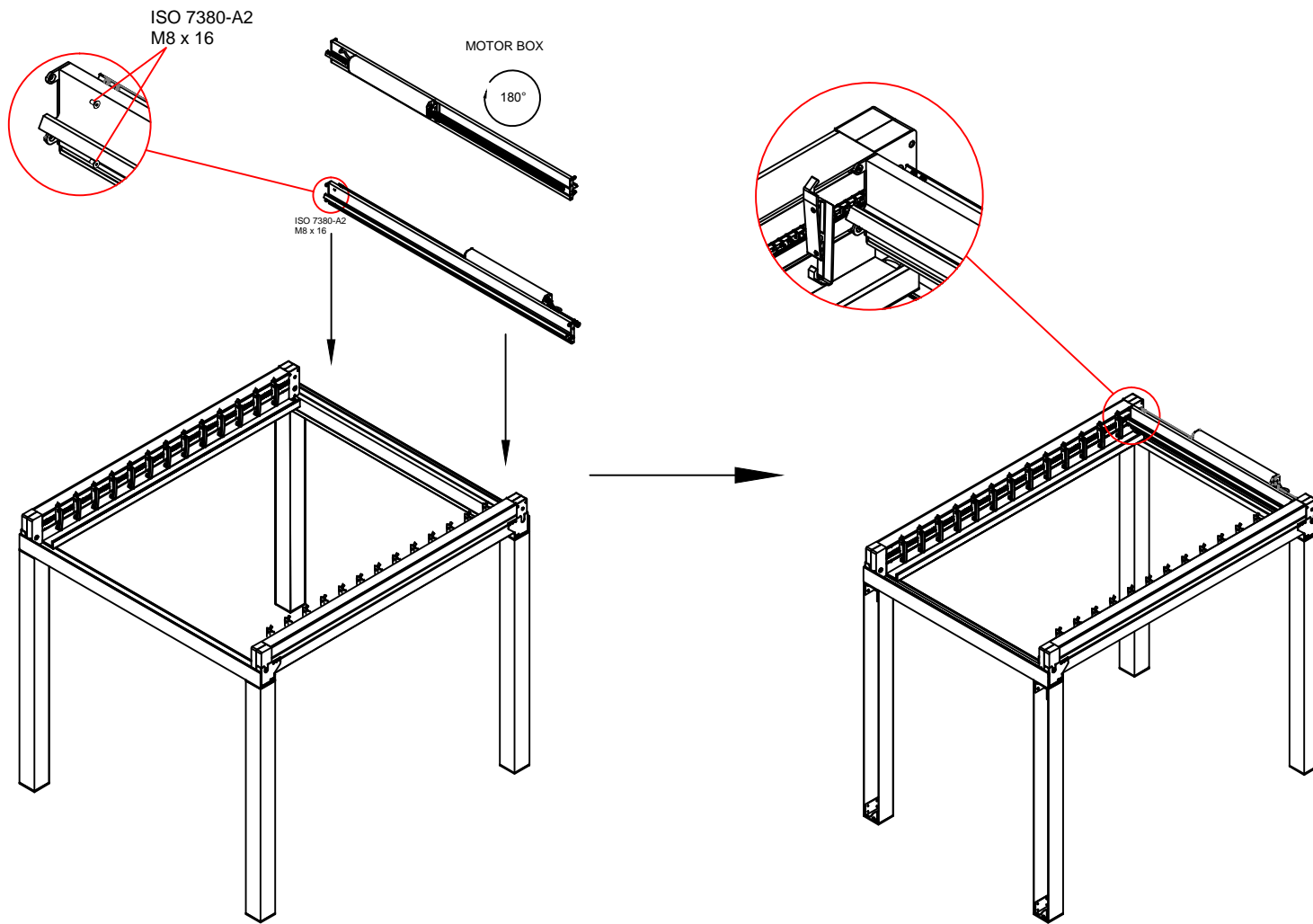
Installation  
RAFTER

STEP III



# Installation MOTOR BOX

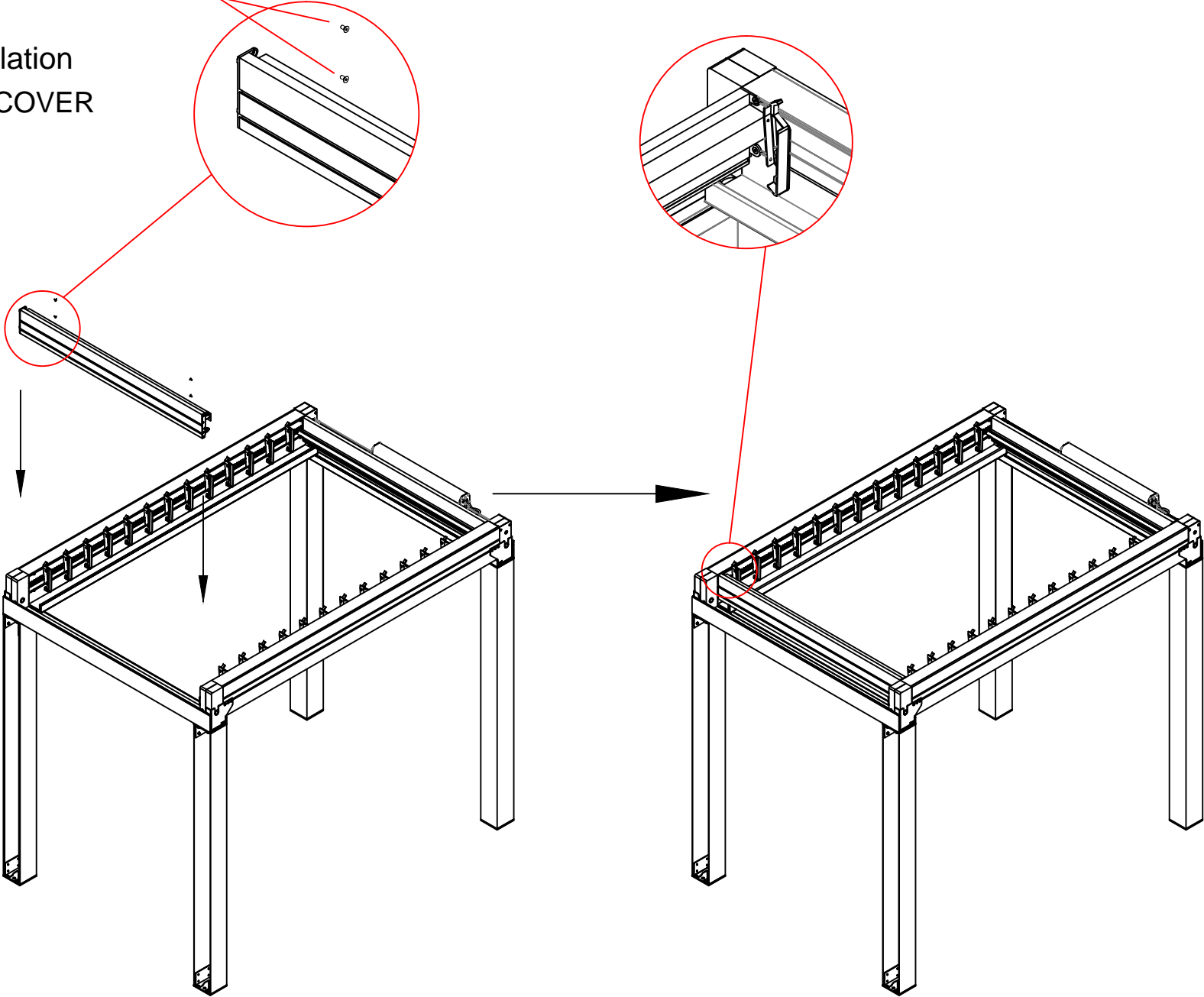
STEP IV



Installation  
TOP COVER

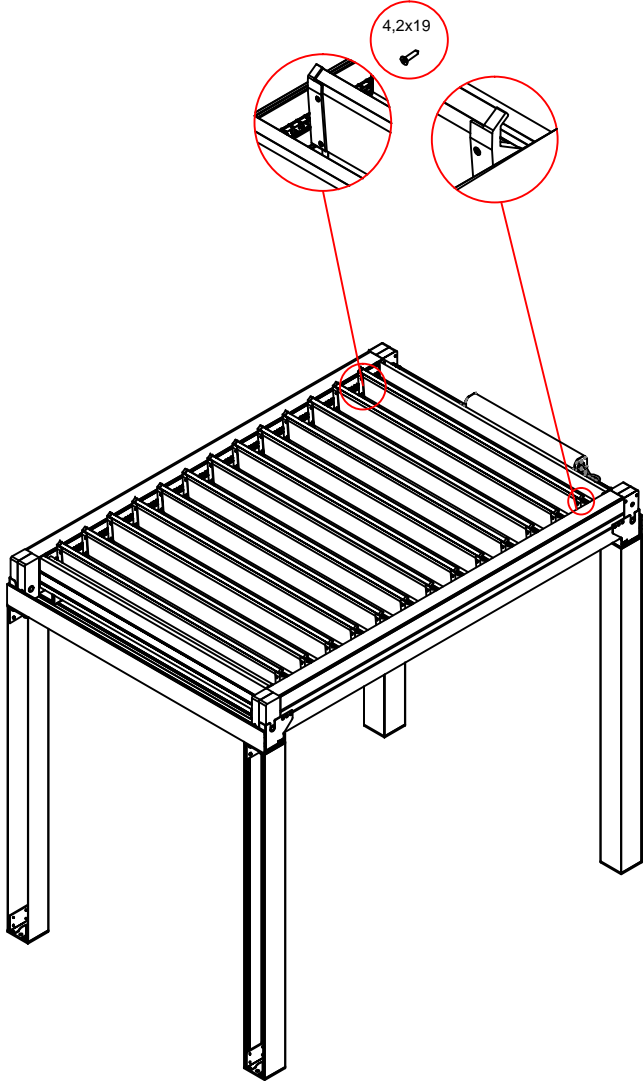
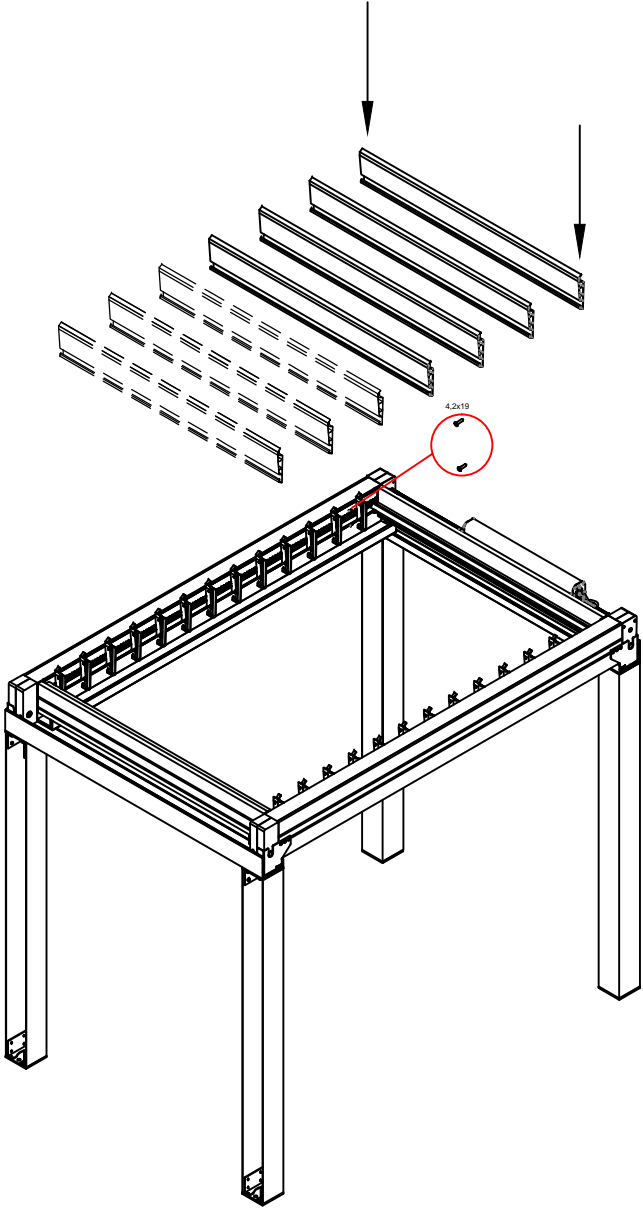
STEP V

ISO 7380-A2  
M8 x 16



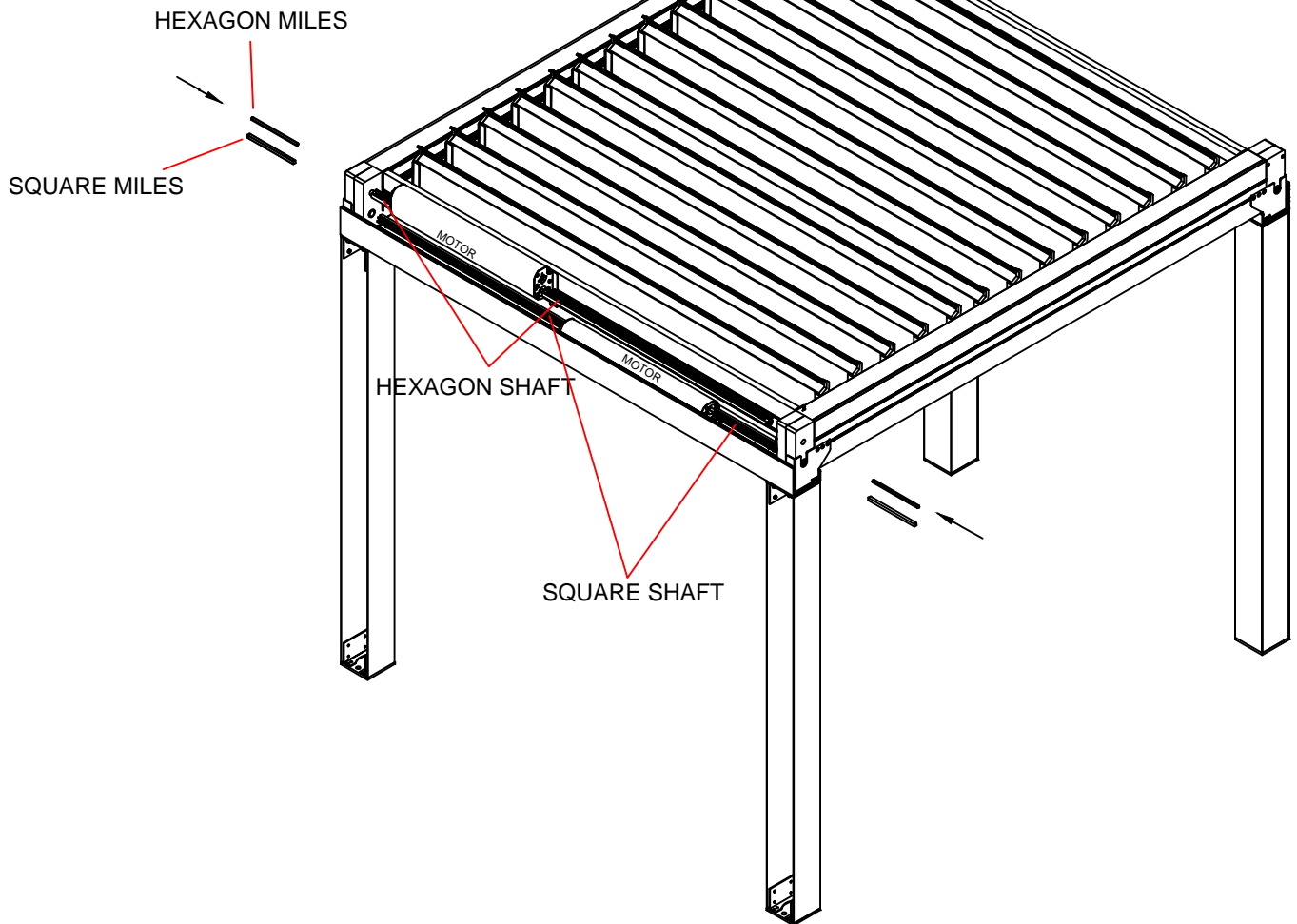
# Installation LOUVRE

STEP VI



# Installation SHAFT

STEP VII

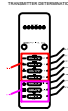
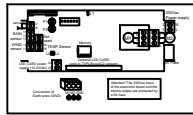




# Installation

## Programming RTS Somfy motor

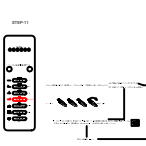
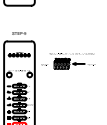
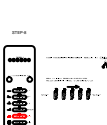
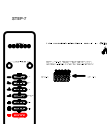
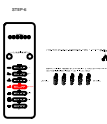
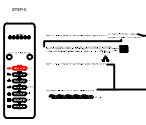
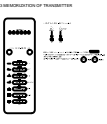
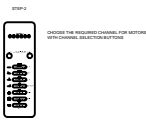
### STEP VII



**STEP I CABLE CONNECTIONS**

RECEIVER 1 (POWER/CONTROL/POWER)  
RECEIVER 2 (BLACK/BLACK)  
RECEIVER 3 (BLACK/BLACK)  
RECEIVER 4 (BLACK/BLACK)  
RECEIVER 5 (BLACK/BLACK)  
RECEIVER 6 (BLACK/BLACK)  
RECEIVER 7 (BLACK/BLACK)  
RECEIVER 8 (BLACK/BLACK)  
RECEIVER 9 (BLACK/BLACK)  
RECEIVER 10 (BLACK/BLACK)  
RECEIVER 11 (BLACK/BLACK)  
RECEIVER 12 (BLACK/BLACK)  
RECEIVER 13 (BLACK/BLACK)  
RECEIVER 14 (BLACK/BLACK)  
RECEIVER 15 (BLACK/BLACK)  
RECEIVER 16 (BLACK/BLACK)  
RECEIVER 17 (BLACK/BLACK)  
RECEIVER 18 (BLACK/BLACK)  
RECEIVER 19 (BLACK/BLACK)  
RECEIVER 20 (BLACK/BLACK)  
RECEIVER 21 (BLACK/BLACK)  
RECEIVER 22 (BLACK/BLACK)  
RECEIVER 23 (BLACK/BLACK)  
RECEIVER 24 (BLACK/BLACK)  
RECEIVER 25 (BLACK/BLACK)  
RECEIVER 26 (BLACK/BLACK)  
RECEIVER 27 (BLACK/BLACK)  
RECEIVER 28 (BLACK/BLACK)  
RECEIVER 29 (BLACK/BLACK)  
RECEIVER 30 (BLACK/BLACK)  
RECEIVER 31 (BLACK/BLACK)  
RECEIVER 32 (BLACK/BLACK)  
RECEIVER 33 (BLACK/BLACK)  
RECEIVER 34 (BLACK/BLACK)  
RECEIVER 35 (BLACK/BLACK)  
RECEIVER 36 (BLACK/BLACK)  
RECEIVER 37 (BLACK/BLACK)  
RECEIVER 38 (BLACK/BLACK)  
RECEIVER 39 (BLACK/BLACK)  
RECEIVER 40 (BLACK/BLACK)  
RECEIVER 41 (BLACK/BLACK)  
RECEIVER 42 (BLACK/BLACK)  
RECEIVER 43 (BLACK/BLACK)  
RECEIVER 44 (BLACK/BLACK)  
RECEIVER 45 (BLACK/BLACK)  
RECEIVER 46 (BLACK/BLACK)  
RECEIVER 47 (BLACK/BLACK)  
RECEIVER 48 (BLACK/BLACK)  
RECEIVER 49 (BLACK/BLACK)  
RECEIVER 50 (BLACK/BLACK)  
RECEIVER 51 (BLACK/BLACK)  
RECEIVER 52 (BLACK/BLACK)  
RECEIVER 53 (BLACK/BLACK)  
RECEIVER 54 (BLACK/BLACK)  
RECEIVER 55 (BLACK/BLACK)  
RECEIVER 56 (BLACK/BLACK)  
RECEIVER 57 (BLACK/BLACK)  
RECEIVER 58 (BLACK/BLACK)  
RECEIVER 59 (BLACK/BLACK)  
RECEIVER 60 (BLACK/BLACK)  
RECEIVER 61 (BLACK/BLACK)  
RECEIVER 62 (BLACK/BLACK)  
RECEIVER 63 (BLACK/BLACK)  
RECEIVER 64 (BLACK/BLACK)  
RECEIVER 65 (BLACK/BLACK)  
RECEIVER 66 (BLACK/BLACK)  
RECEIVER 67 (BLACK/BLACK)  
RECEIVER 68 (BLACK/BLACK)  
RECEIVER 69 (BLACK/BLACK)  
RECEIVER 70 (BLACK/BLACK)  
RECEIVER 71 (BLACK/BLACK)  
RECEIVER 72 (BLACK/BLACK)  
RECEIVER 73 (BLACK/BLACK)  
RECEIVER 74 (BLACK/BLACK)  
RECEIVER 75 (BLACK/BLACK)  
RECEIVER 76 (BLACK/BLACK)  
RECEIVER 77 (BLACK/BLACK)  
RECEIVER 78 (BLACK/BLACK)  
RECEIVER 79 (BLACK/BLACK)  
RECEIVER 80 (BLACK/BLACK)  
RECEIVER 81 (BLACK/BLACK)  
RECEIVER 82 (BLACK/BLACK)  
RECEIVER 83 (BLACK/BLACK)  
RECEIVER 84 (BLACK/BLACK)  
RECEIVER 85 (BLACK/BLACK)  
RECEIVER 86 (BLACK/BLACK)  
RECEIVER 87 (BLACK/BLACK)  
RECEIVER 88 (BLACK/BLACK)  
RECEIVER 89 (BLACK/BLACK)  
RECEIVER 90 (BLACK/BLACK)  
RECEIVER 91 (BLACK/BLACK)  
RECEIVER 92 (BLACK/BLACK)  
RECEIVER 93 (BLACK/BLACK)  
RECEIVER 94 (BLACK/BLACK)  
RECEIVER 95 (BLACK/BLACK)  
RECEIVER 96 (BLACK/BLACK)  
RECEIVER 97 (BLACK/BLACK)  
RECEIVER 98 (BLACK/BLACK)  
RECEIVER 99 (BLACK/BLACK)  
RECEIVER 100 (BLACK/BLACK)

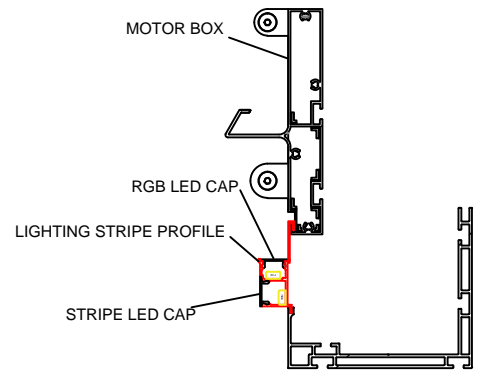
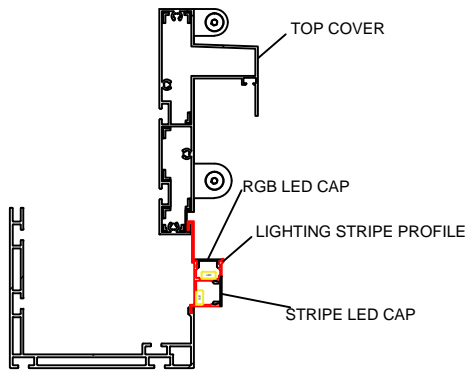
**CAUTION:**  
IF THE WIRE CONNECTION COLUMNS MUST BE AT PRECISE POINTS AND IN ORDER.  
IF COLUMNS ARE NOT IN THIS POSITION, YOU CAN DO IT MANUALLY (WITHOUT RECEIVER).



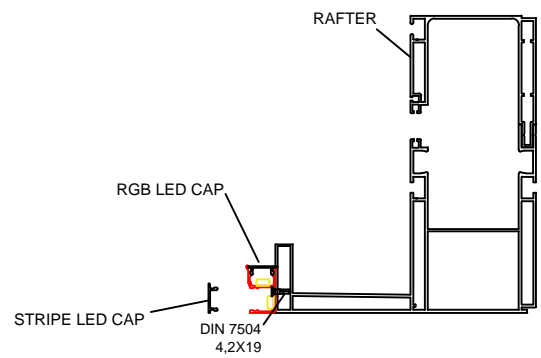
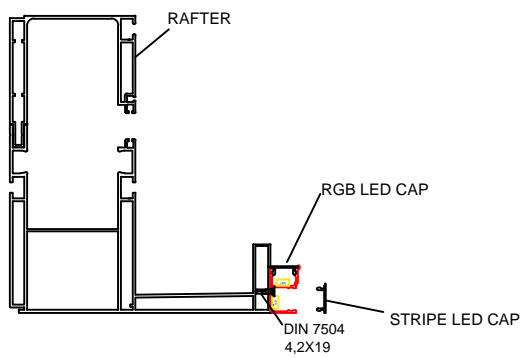
# Installation

## LIGHTING STRIPE PROFILE (OPTIONAL ITEM)

### STEP VIII-A



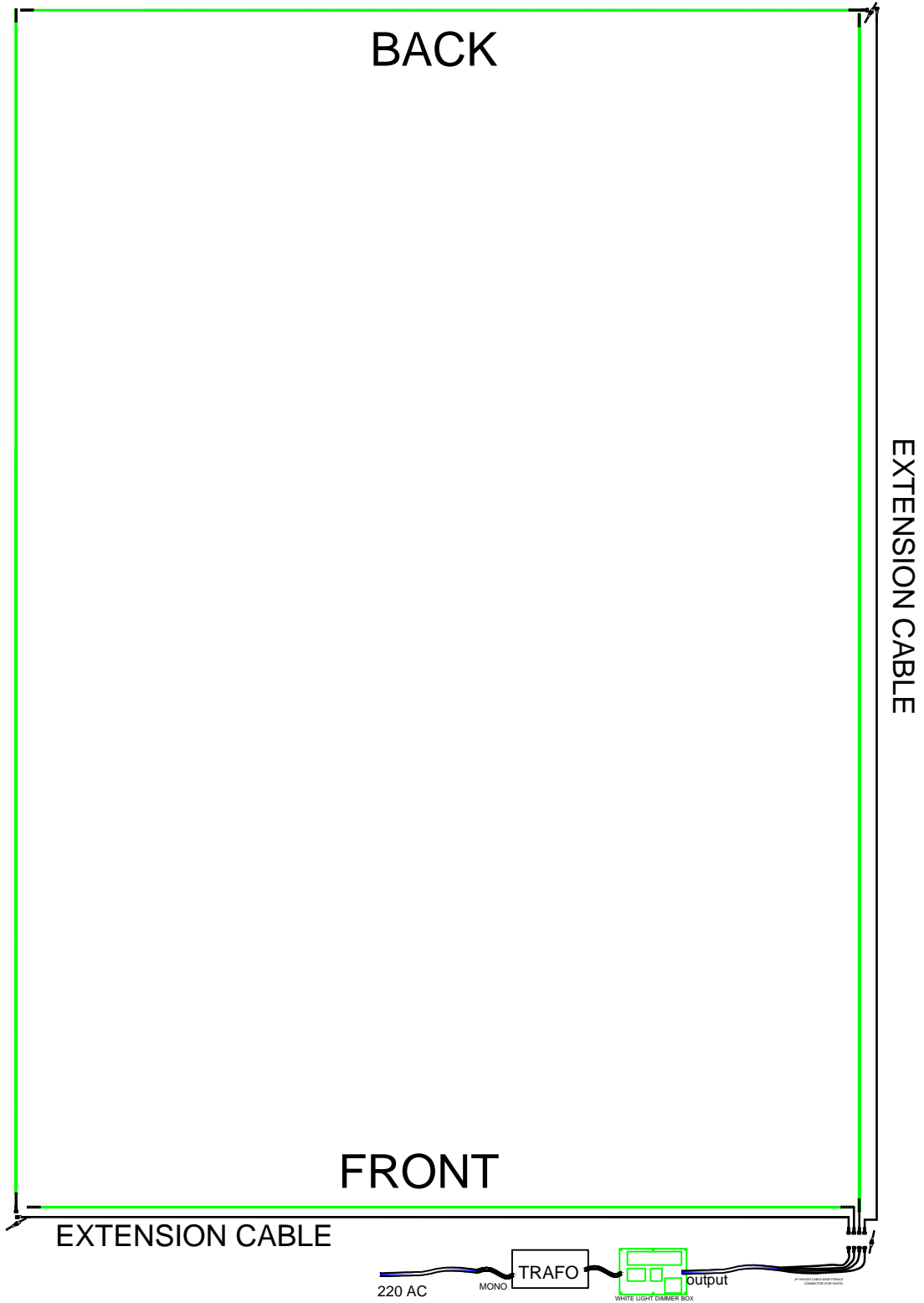
### STEP VIII-B



Installation

WHITE LIGHTING (OPTIONAL ITEM)

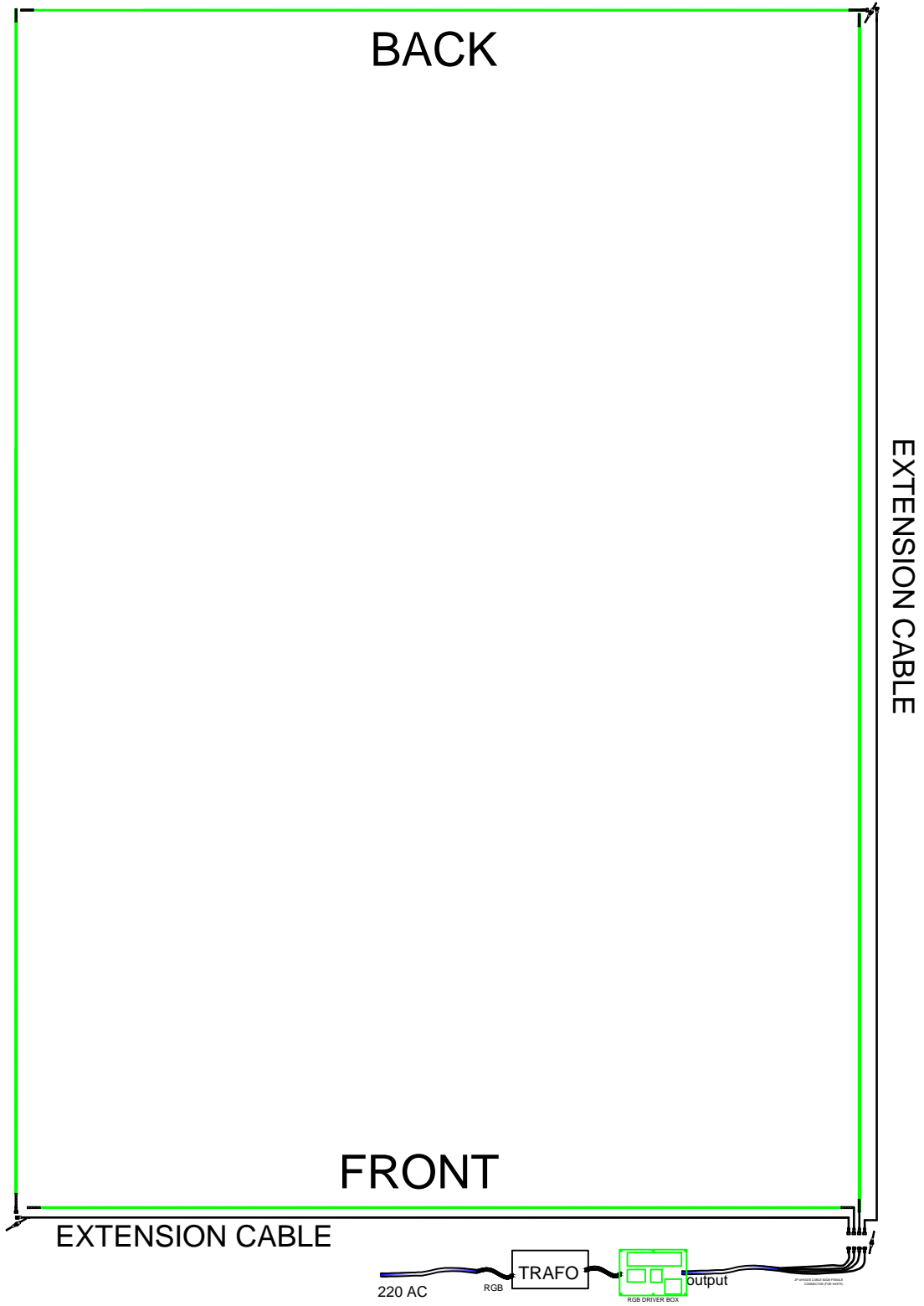
STEP IX-A



Installation

RGB LIGHTING (OPTIONAL ITEM)

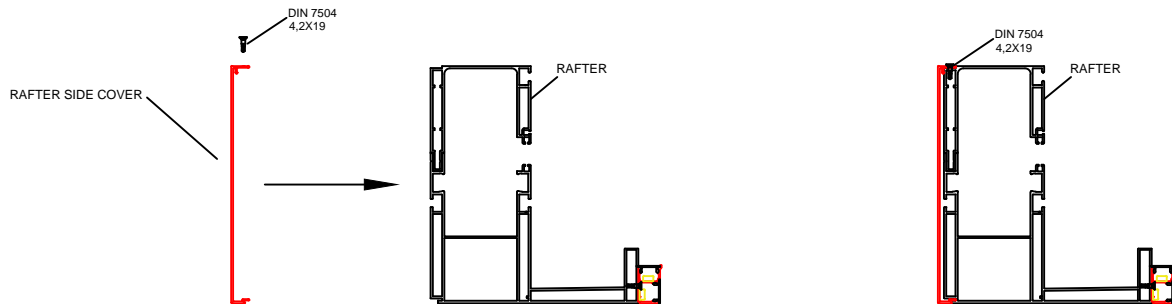
STEP IX-B



# Installation

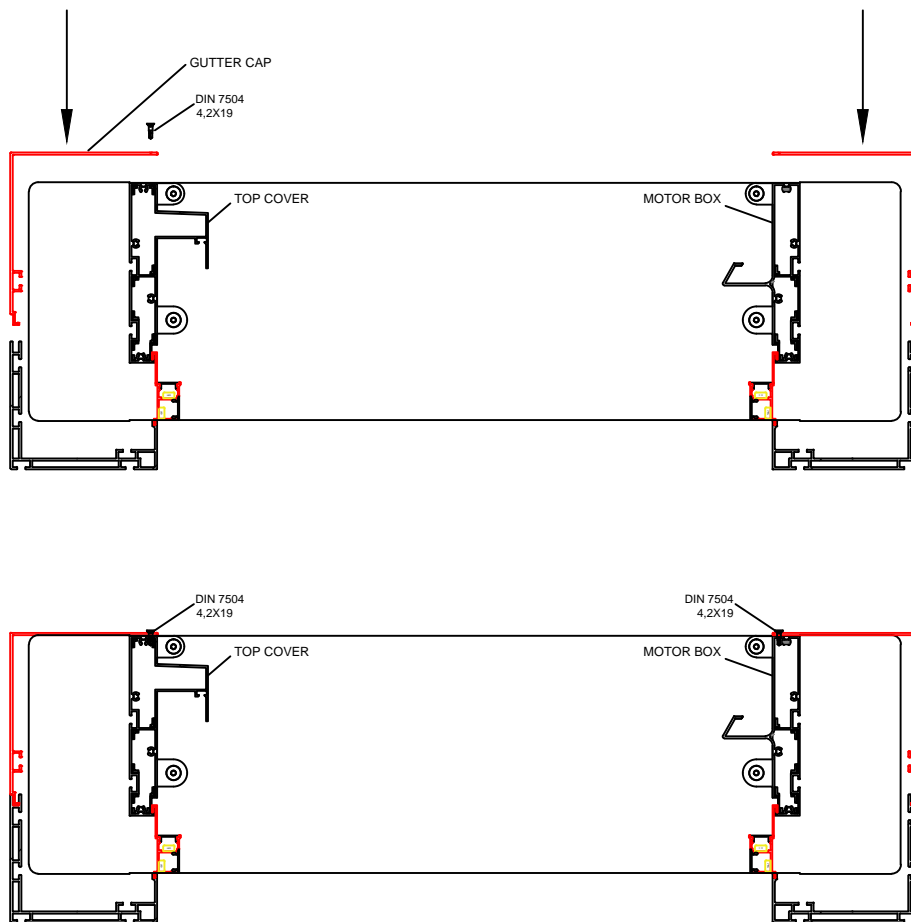
## RAFTER SIDE COVER PROFILE

STEP X-A



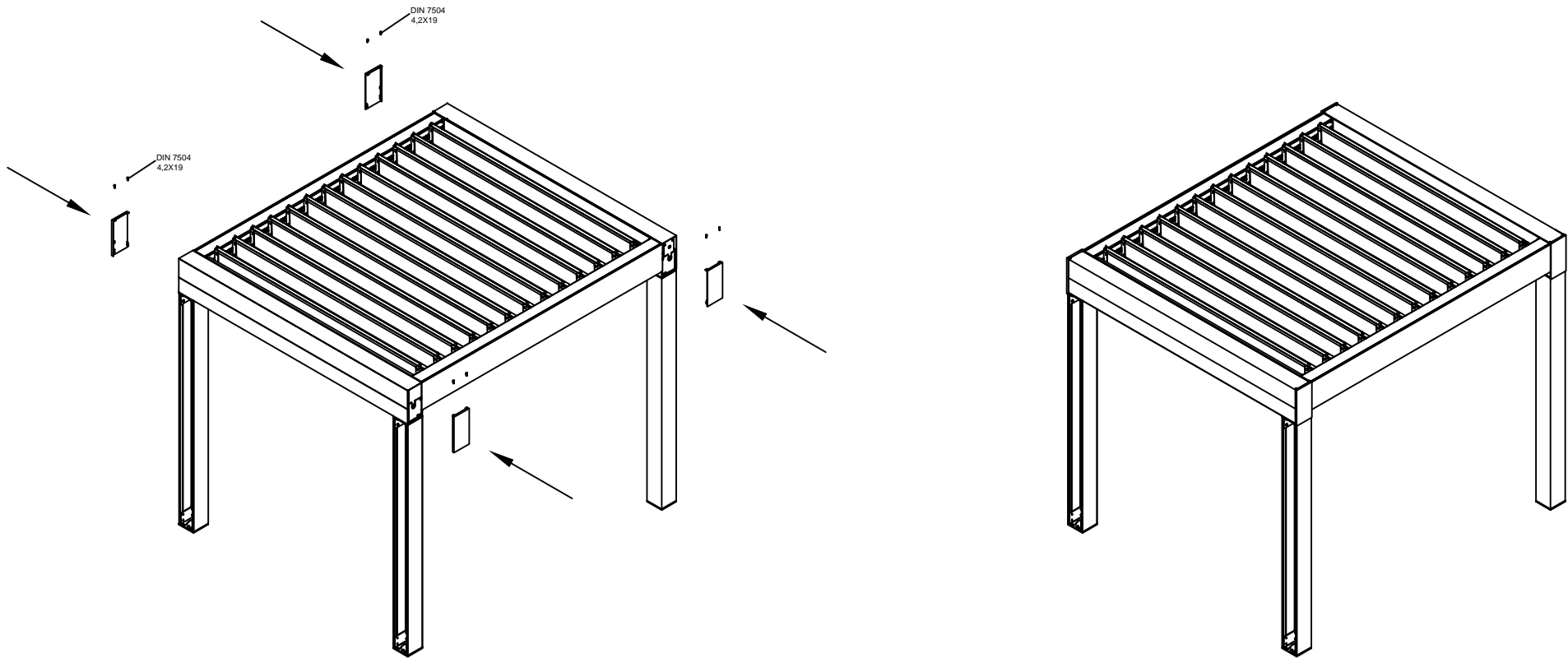
STEP X-B

## GUTTER CAP PROFILE



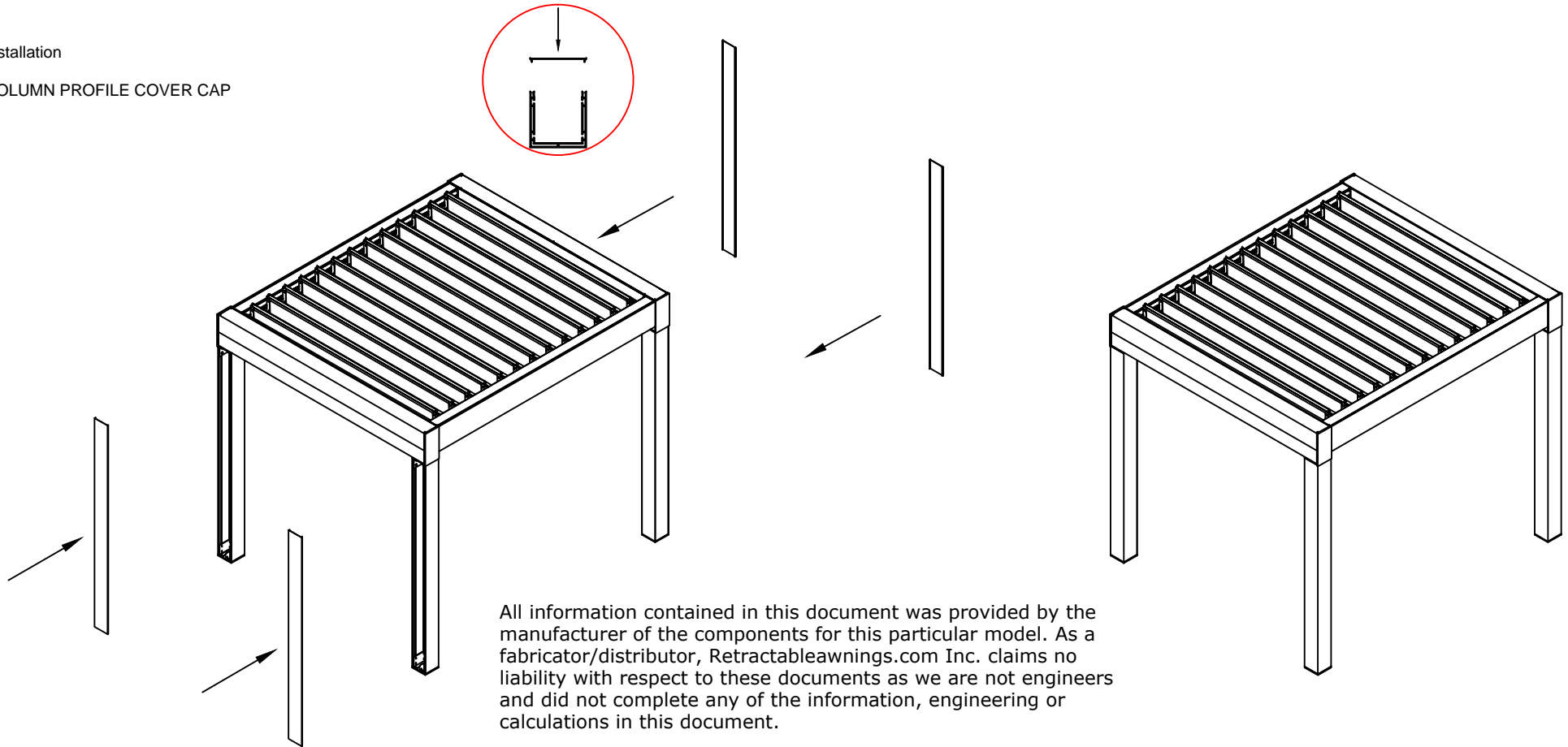
Installation

RAFTER END CAP



Installation

COLUMN PROFILE COVER CAP



All information contained in this document was provided by the manufacturer of the components for this particular model. As a fabricator/distributor, Retractableawnings.com Inc. claims no liability with respect to these documents as we are not engineers and did not complete any of the information, engineering or calculations in this document.

All measurements in this document are metric. To convert from metric (meters, centimeters and millimeters) to imperial (feet and inches) visit this website:  
[http://www.onlineconversion.com/length\\_common.htm](http://www.onlineconversion.com/length_common.htm)